

MINISTERE DES TRANSPORTS

Luxembourg, le 04 mai 2006
 19-21, Boulevard Royal
 L-2910 Luxembourg
 Tél. 478-1 – Télécopieur 241 817 – Télex 1465 CIVAIR LU

REFERENCE: E13*10R00*10R02*3510*00

ANNEXES: Documentation technique

Communication concernant:⁽²⁾
 Communication concerning:



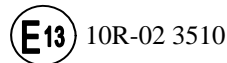
- **délivrance d'une l'homologation**
approval granted
- **l'extension d'homologation**
approval extended
- **le refus d'homologation**
approval refused
- **le retrait d'homologation**
approval withdrawn
- **l'arrêt définitif de la production**
production definitely discontinued

d'un type de sous-ensemble électrique/électronique⁽²⁾ en ce qui concerne le Règlement N° 10
 of a type of electrical/electronic sub-assembly with regard to Regulation N° 10


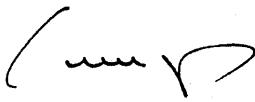

Numéro d'homologation par type:
Approval number:

E13*10R00*10R02*3510*00

Marque d'homologation:
Approval mark:



- | | | |
|-------------|------------------------------------------------------------------------------------------------------------------------------------------------------------------------------------------------------------------------------|----------------------------------------------|
| 1. | Fabricant: (marque commerciale du constructeur):
Make (trade name of manufacturer): | Atech, as option: tomtom |
| 2. | Type:
Type: | PCC609050200 |
| | Dénomination(s) commerciale(s) générale(s):
General commercial description(s): | Car charger |
| | Version(s)/Variante(s):
Version(s)/Variant(s): | <i>Not applicable</i> |
| 3. | Moyens d'identification du type, s'ils sont marqués sur le véhicule / composant / entité technique⁽²⁾:
Means of identification of type, if marked on the vehicle / component / separate technical unit: | PCC609050?00-?? (Atech)
4D00.003 (tomtom) |
| 3.1. | Emplacement de ce marquage:
Location of that marking: | On the housing |
| 4. | Catégorie du véhicule:
Category of vehicle: | Not applicable |

5. **Nom et adresse du constructeur:**
Name and address of manufacturer: Atech Technology Co., Ltd.
4F, No. 103, Sec. 2, Jiuzong Road, 114 Taipei,
Taiwan, R.O.C.
6. **Dans le cas de composants ou d'entités techniques, emplacement et procédé de fixation de la marque de réception CEE:**
In the case of components and separate technical units, location and method of affixing of the ECE approval mark: Label fixed on the housing
7. **Adresse(s) de l' (des) usine(s) d'assemblage:**
Address(es) of assembly plant(s):
1. Atech (Ningbo) Electronic Co., Ltd.
Shangshao Cun, Zhuangqiao Town, Ningbo City,
P.R. CHINA
2. AAEON Technology (Suzhou) Inc.
No. 338, Shen Hu Road, Suzhou Industrial Park,
Suzhou City, Jiangsu Province,
P.R. CHINA
8. **Informations supplémentaires (s'il y a lieu):**
Additional informations (where applicable): See Information Folder No. PCC609050200-00
9. **Autorité déléguée:**
Assigned authority: Société Nationale de Certification et d'Homologation
L-5230 Sandweiler
- Service technique responsable de l'exécution des essais:**
Technical service responsible for carrying out the tests: TÜV Rheinland Luxemburg GmbH
Centre Commercial "Le 2000" Z.I.
L-3378 Livange
10. **Date du rapport d'essai:**
Date of test report: 27.04.2006
11. **Numéro du rapport d'essai:**
Number of test report: 84-R10-00187/06
12. **Remarques (s'il y a lieu):**
Remarks (if any): Not applicable
13. **Lieu:**
Place: Luxembourg
14. **Date:**
Date: 04 mai 2006
15. **Signature:**
Signature: **Pour le Ministre des Transports**
- 


- Paul Schmit**
Commissaire du Gouvernement
16. **L'index de l'ensemble des renseignements déposé chez l'autorité de réception, qui peut être obtenu sur demande, est joint.**
The index to the information package lodged with the approval authority, which may be obtained on request, is attached. See index to type-approval report

² **Biffer la mention inutile**
Delete where not applicable

Appendice

Appendix

au certificat d'homologation par type N° E13*10R00*10R02*3510*00

to type-approval certificate N° E13*10R00*10R02*3510*00

concernant l'homologation par type d'un sous ensemble électrique/électronique selon le Règlement N° 10.

concerning the type-approval of an electrical/electronic sub-assembly under Regulation N° 10.

- 1. Informations supplémentaires**
Additional informations
- 1.1. Tension nominale du système électrique [V]:** 10 ~ 30V DC
Electrical system rated voltage [V]:
- Masse:** Negative
Ground:
- 1.2. Ce SEEE peut être utilisé sur n'importe quel type de véhicule avec les restrictions suivantes:** Not applicable
This ESA can be used on any vehicle type with the following restrictions:
- 1.2.1. Conditions d'installation, s'il y a lieu:** Not applicable
Installation conditions, if any:
- 1.3. CE SEEE peut seulement être utilisé sur les types de véhicules suivantes:** Not applicable
This ESA can be used only on the following vehicle types:
- 1.3.1. Conditions d'installation, s'il y a lieu:** Not applicable
Installation conditions, if any:
- 1.4. La (les) méthode(s) spécifique(s) d'essais utilisée(s) et les bandes de fréquences couvertes pour déterminer l'immunité étai(ent):(indiquez s'il vous plaît à partir de l'annexe 9 la méthode précise utilisée)** Not applicable
The specific test method(s) used and the frequency ranges covered to determine immunity were: (Please specify precise method used from annex 9)
- 1.5. Laboratoire approuvé/accrédité (dans le cadre de ce Règlement) responsable de l'exécution des essais:** TÜV Rheinland Luxemburg GmbH
Approved/accredited laboratory (for the purpose of this Regulation) responsible for carrying out the test:
- 2. Commentaires:** Not applicable
Remarks:
- Raison(s) de l'extension:** Not applicable
Reason(s) for extension:

MINISTERE DES TRANSPORTS

Luxembourg, le 04 mai 2006
19-21, Boulevard Royal
L-2910 Luxembourg
Tél. 478-1 – Télécopieur 241 817 – Télex 1465 CIVAIR LU

REFERENCE: E13*10R00*10R02*3510*00

ANNEXES: Documentation technique

Index du dossier d'homologation
Index to type-approval

	Numéro d'homologation: Approval number:	E13*10R00*10R02*3510*00
	Révision: Revision:	00
	Marque de fabrique ou de commerce: Trade name or mark:	<i>Atech, as option: tomtom</i>
	Type: Type:	<i>PCC609050200</i>
1.	Procès-verbal d'essai: Test report:	84-R10-00187/06
	- Technical report:	Page 1 to 4;
	- Technical informations:	Appendix L – Page 5 & 6;
	- List of modifications:	Appendix 0 – Page 7;
	- Test protocol:	Appendix 1 – Page 8 & 9.
2.	Dossier du constructeur: Report of the manufacturer:	No. PCC609050200-00
	- Technical information:	Page 1, 2;
	- List of Annexes:	Page 3;
	- Annexes:	Refer to List of Annexes
3.	Autres documents annexés: Other documents annexed:	Not applicable
4.	Date de délivrance de l'homologation initiale: Date of issue of initial type approval:	04.05.2006
5.	Date de la dernière délivrance de pages révisées: Date of last issue of revised pages:	Not applicable
6.	Date de la dernière délivrance d'une homologation révisée: Date of last extension:	Not applicable

Manufacturer : Atech Technology Co., Ltd.
Type : PCC609050200

TEST REPORT

according to ECE-Regulation

Uniform provisions concerning the approval of vehicles with regard to electromagnetic compatibility

No.: **ECE-R10**

including

No.: **02 series of amendments, suppl. 2**

Previously granted	
ECE-type approval	: --

Structure of report:

1. Test object(s) and general test information
2. Test minutes
3. Remark concerning tested object(s)
4. Appendices
5. Statement of conformity

Manufacturer : Atech Technology Co., Ltd.
Type : PCC609050200

1. Test object(s) and general test information

1.1. Test object(s)

Identification no. : Not applicable

Model : PCC609050200

Remark : - Car charger
- The application type has different output ratings.

1.2. General test information

1.2.1 Order issued by : --
(if different from manufacturer)

1.2.2 Test object received on : --

1.2.3 Test date : February 14, 2006

1.2.4 Test site : Spectrum Research & Testing Lab. Inc., Chung-Li,
Taiwan

1.2.5 Remark : The results of the test refer exclusively to the objects
mentioned under point 1.1. of this report.

Manufacturer : Atech Technology Co., Ltd.
Type : PCC609050200

2. Test minutes

- 2.1. Test facilities** : The measurement equipment used was in compliance with the test requirements.
- 2.2. Test results** : ~~The ESA has been tested according to the amendments mentioned in Appendix 0.~~
~~The actual measurement test of the ESA was not required. The test results of the previous test are still valid.~~
Tests of ~~immunity and~~ radiated narrow band / broad band electromagnetic emission have been conducted.
- 2.2.1 Markings : The approval mark is marked clearly legible and indelible on the housing.
- 2.2.2 Test data : See Appendix.
- 2.3. Variants and components** : Not applicable

Manufacturer : Atech Technology Co., Ltd.
Type : PCC609050200

3. Remark concerning tested object(s)

All versions of the ESA type as stated in the information document are covered with the tested version(s) and test object(s) respectively.

4. Appendices

- L Technical information about the separate technical unit (ESA) according to Annex 3B of the communication concerning the ECE-type approval**
- 0 List of modifications**
- 1 Test protocol**
- 2 Information folder No. : PCC609050200-00 (3 pages)
(excluding apps.)**

5. Statement of conformity

The information folder and the type described there comply with the requirements in the above mentioned directive/regulation.

The test report comprises - including appendices L to 1 - the pages 1 to 9 and shall not be reproduced except in full without the written approval of the testing laboratory.

Luxemburg, date see Appendix L
JYW/BL



B.S.E.E. B. Liu

Manufacturer : Atech Technology Co., Ltd.
Type : PCC609050200

Technical information about the separate technical unit (ESA) according to Annex 3B of the communication concerning the ECE-type approval

Appendix L

1. **Make (trade name of manufacturer)** : Atech, as option: tomtom
2. **Type and general commercial description(s)** : PCC609050200
commercial description(s) : Car charger
version(s) : Not applicable
3. **Means of identification of type, if marked on the component/separate technical unit** : PCC609050?00-?? (for Atech)
4D00.003 (for tomtom)
 - 3.1. Location of that marking : On the housing
4. **Category of vehicle** : Not applicable
5. **Name and address of manufacturer** : Atech Technology Co., Ltd.
4F, No. 103, Sec. 2, Jiuzong Rd., 114,
Taipei, Taiwan, R.O.C.
Name and address of authorized representative, if any : Not applicable
6. **In the case of components and separate technical units, location and method of affixing of the ECE approval mark** : Label fixed on the housing
7. **Address(es) of the assembly plant(s)** : 1. Atech (Ningbo) Electronic Co., Ltd.
Shangshao Cun, Zhuangqiao Town,
Ningbo City, P.R. China
2. AAEMON Technology (Suzhou) Inc.
No. 338, Shen Hu Road, Suzhou Industrial Park,
Suzhou City, Jiangsu Province, P.R. China
8. **Additional information** : See Information Folder No. PCC609050200-00
10. **Date of Report** : April 27, 2006
12. **Remarks (if any)** : Not applicable

Manufacturer : Atech Technology Co., Ltd.
Type : PCC609050200

Appendix

1. **Additional information** :
- 1.1. Electrical system rated voltage : 10 ~ 30V DC, negative ground
- 1.2. This ESA can be used on any vehicle type with the following restrictions : Not applicable
 - 1.2.1. Installation conditions, if any : Not applicable
- 1.3. This ESA can be used only on the following vehicle types : Not applicable
 - 1.3.1. Installation conditions, if any : Not applicable
- 1.4. The specific test method(s) used and the frequency ranges covered to determine immunity were (please specify precise method used from Annex 9) : Not applicable
- 1.5. Approved/recognised laboratory (for the purpose of this Regulation) responsible for carrying out the test : TÜV Rheinland Luxemburg GmbH
2. **Remarks** : Not applicable



Manufacturer : Atech Technology Co., Ltd.
Type : PCC609050200

List of modifications

Appendix 0

Correction of : --

Modification of : --

Addition of : --

Deletion of : --

Manufacturer : Atech Technology Co., Ltd.
Type : PCC609050200

Test protocol

Appendix 1

Test object

Trade name : Atech
Version : Output rating of @5V 2A
Technical data of the tested ESA type : See Appendix L

Test results of radiated broadband electromagnetic emissions

Antenna position : Horizontal and vertical

No.	frequency		measured data		correction factor		corrected data		limit value	
	MHz		dB(μV/m)		dB(μV/m)		dB(μV/m)		dB(μV/m)	
	horiz.	vertic.	horiz.	vertic.	horiz.	vertic.	horiz.	vertic.	horiz.	vertic.
1	41.6	40.7	20.1	31.1	11.7	12.2	31.8	43.3	58.4	58.7
2	69.8	69.8	25.3	20.2	12.2	12.2	37.5	32.4	52.8	52.8
3	90.1	88.2	5.3	15.3	10.9	11.3	16.2	26.6	53.2	53.1
4	125.0	122.2	6.2	5.3	10.4	10.0	16.6	15.3	55.4	55.2
5	145.4	150.3	5.1	5.2	13.6	12.4	18.7	17.6	56.4	56.6
6	186.2	185.2	5.6	6.2	14.9	15.3	20.5	21.5	58.0	57.9
7	232.7	234.7	6.7	8.0	16.0	16.2	22.7	24.2	59.4	59.5
8	282.2	286.1	5.7	7.2	18.2	18.1	23.9	25.3	60.7	60.8
9	388.9	381.1	8.2	7.1	19.7	19.5	27.9	26.6	62.8	62.7
10	461.7	450.0	9.1	8.1	21.3	20.4	30.4	28.5	63.0	63.0
11	619.8	619.8	5.4	5.4	24.0	24.0	29.4	29.4	63.0	63.0
12	762.4	763.3	5.6	6.1	26.4	26.4	32.0	32.5	63.0	63.0
13	918.5	897.2	6.8	5.8	28.6	28.6	35.4	34.4	63.0	63.0

Manufacturer : Atech Technology Co., Ltd.
Type : PCC609050200

Test results of radiated narrow band electromagnetic emissions

Antenna position : Horizontal and vertical

No.	frequency MHz		measured data dB(μ V/m)		correction factor dB(μ V/m)		corrected data dB(μ V/m)		limit value dB(μ V/m)	
	horiz.	vertic.	horiz.	vertic.	horiz.	vertic.	horiz.	vertic.	horiz.	vertic.
1	30.0	40.7	26.1	31.5	13.6	12.2	39.7	43.7	52.0	48.7
2	69.8	69.8	25.3	20.1	12.2	12.2	37.5	32.3	42.8	42.8
3	76.6	96.0	12.4	18.2	13.0	10.5	25.4	28.7	42.1	43.6
4	104.7	100.3	5.1	11.5	10.1	10.2	15.2	21.7	44.2	43.9
5	144.5	137.7	6.2	7.1	13.6	13.9	19.8	21.0	46.3	46.0
6	180.4	181.3	5.6	5.3	17.0	16.7	22.6	22.0	47.8	47.8
7	239.5	237.6	9.2	5.1	16.5	16.4	25.7	21.5	49.6	49.6
8	308.4	315.2	8.4	6.2	18.1	18.4	26.5	24.6	51.3	51.4
9	388.9	381.1	5.4	5.9	19.7	19.5	25.1	25.4	52.8	52.7
10	488.8	476.2	6.3	6.4	20.9	22.0	27.2	28.4	53.0	53.0
11	634.3	652.7	7.1	5.2	24.7	25.3	31.8	30.5	53.0	53.0
12	819.6	809.9	7.2	7.2	27.3	26.9	34.5	34.1	53.0	53.0
13	975.8	897.2	6.3	5.4	28.6	28.6	34.9	34.0	53.0	53.0

Test results of Immunity Test : Not applicable

Test method : --

Specified frequency range : --

Tested frequency points : --

Field strength : --

~~At the above mentioned frequency points the ESA did not exhibit any malfunction which would cause any degradation of performance which could cause confusion to other road users or any degradation in the driver's direct control of a vehicle fitted with the system which could be observed by the driver or other road user.~~

Information Document No.: PCC609050200-00
for type approval of an ESA with respect to
electromagnetic compatibility according to
the ECE Regulation R10, 02 series of amendments

Date: February 27, 2006

-
1. Make (trade name of manufacturer) : Atech, as option: tomtom

 2. Type and general commercial description(s) : PCC609050200
commercial description(s) : Car charger
version(s) : Not applicable

 3. Means of identification of type, if marked on : PCC609050?00-?? (for Atech)
the ~~component~~ / separate technical unit 4D00.003 (for tomtom)

 - 3.1. Location of that marking : On the housing

 4. Category of vehicle : Not applicable

 5. Name and address of manufacturer : Atech Technology Co., Ltd.
4F, No. 103, Sec. 2, Jiuzong Rd., 114,
Taipei, Taiwan, R.O.C.

 - Name and Address of authorized : Not applicable
representative, if any

 6. In the case of components and separate : Label fixed on the housing
technical units, location and method of affixing
of the ECE approval mark

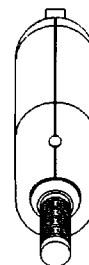
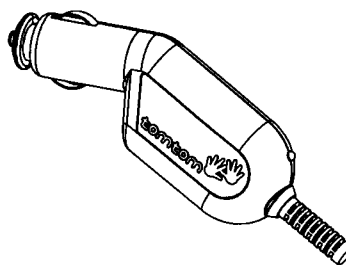
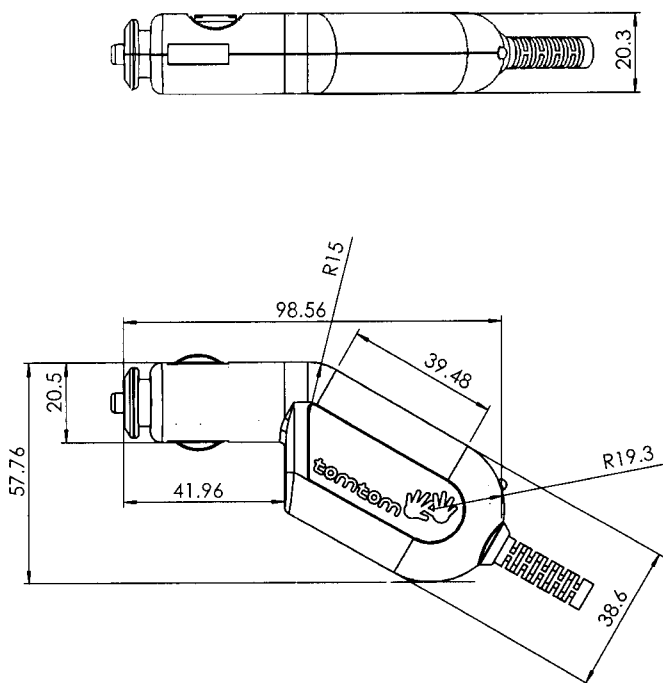
 7. Address(es) of the assembly plant(s) : 1. Atech (Ningbo) Electronic Co., Ltd.
Shangshao Cun, Zhuangqiao Town,
Ningbo City, P.R. China
2. AAEMON Technology (Suzhou) Inc.
No. 338, Shen Hu Road, Suzhou Industrial
Park, Suzhou City, Jiangsu Province,
P.R. China

Additional information

- 1.1. Electrical system rated voltage : 10 ~ 30V DC, negative ground
- 1.2. This ESA can be used on any vehicle type : Not applicable
with the following restrictions
- 1.2.1. Installation conditions, if any : Not applicable
- 1.3. This ESA can be used only on the following : Not applicable
vehicle types
- 1.3.1. Installation conditions, if any : Not applicable
- 1.4. The specific test method(s) used and the : Not applicable
frequency ranges covered to determine
immunity were (please specify precise method
used from Annex 9)
2. Remark : Not applicable

List of Annexes

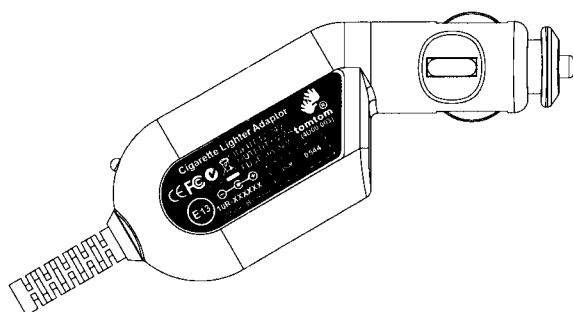
Annex	Page
A Drawing or photo of the ESA	A1 ~ A6
B System layout and circuit diagram	B1 ~ B2
C Bill of material	C1
D Output rating list	D1



0	±0.2
0.0	±0.05
0.00	±0.02

TOLERANCE

										Atech Atech Technology Co. Ltd. TEL: 002794-9887 FAX: 002794-8004		TITLE	
												Part No	
RELEASE				Isaac		UNITS		SCALE		MATERIAL		DWG NO.	
DESCRIPTION		DATE		BY		CHK		APPD		M/M		1:2	
NO.		REVISIONS								DATE		2006/2/7	
										⊕		DRAW David 1/1	



DOM 0544
14*5mm



DOM 0544

Date Code:yy/weeks of year

Black Label with White Letter
 Label SIZE:46.7X16.5mm
 Date Code SIZE:14X5mm
 MFG Dtae should be update per week

					Atech® Atech Technology Co., Ltd. TEL:+886-2-2794-8867 Fax:+886-2-2794-8004			TITLE PCC609-LB	
								DWG. NO. PCC609 Label	
B		2006/02/09	Ming	Isaac	UNITS:	SCALE	SAFETY	MATERIAL	
A	RELEASE	2005/11/23	Ming	Isaac					
NO	DESCRIPTION	DATE	BY	CHK	APPD	DATE	DRAW		
REVISIONS						2006/02/09	Ming		

Cigarette Lighter Adaptor PCC609050100



INPUT: 12/24V
OUTPUT: 5V 1A
FUSE: 3A/32V



E13

Atech
10R-023510
MADE IN CHINA

Date Code

DOM 0609

Cigarette Lighter Adaptor PCC609050200



INPUT: 12/24V
OUTPUT: 5V 2A
FUUSE: 3A/32V



Atech
10R-023510
MADE IN CHINA



Date Code

DOM 0609

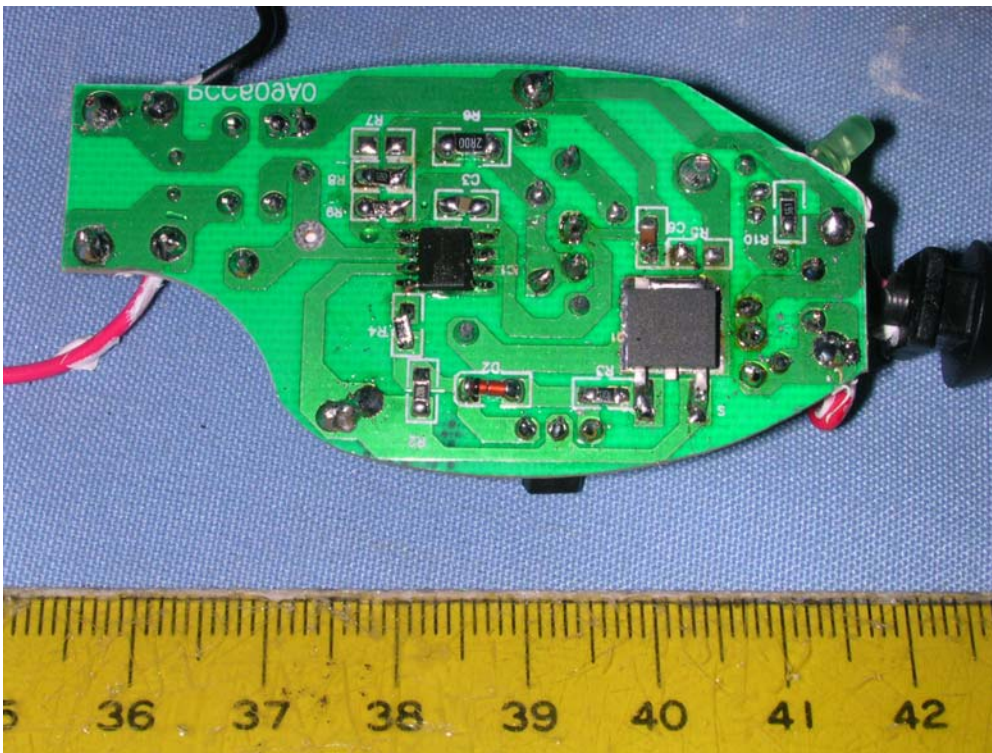
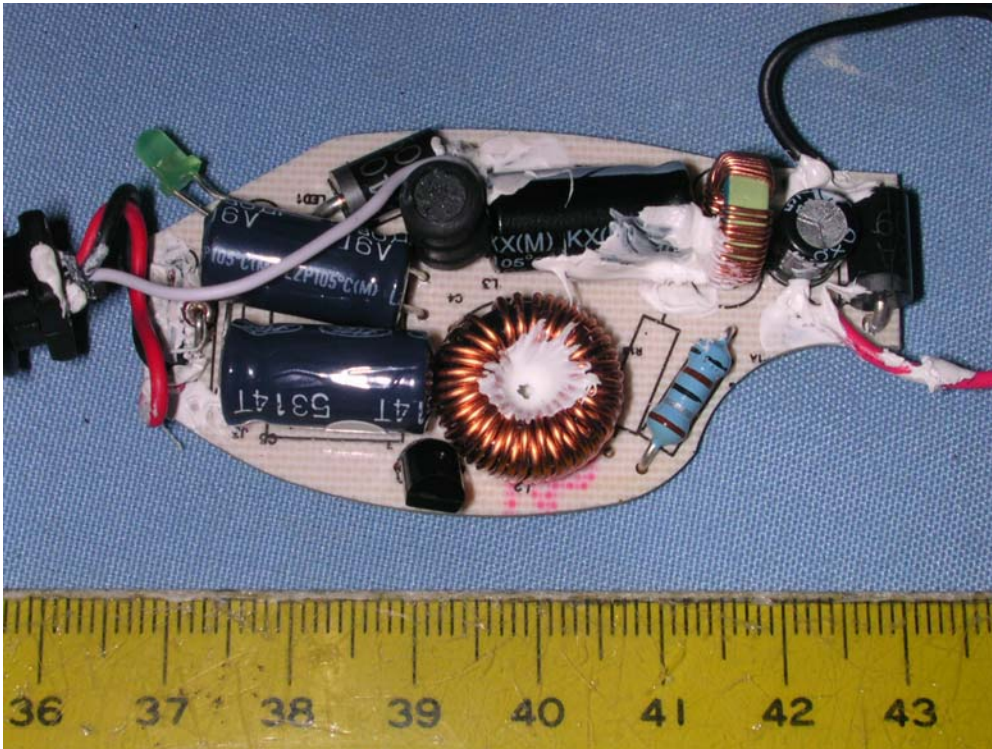
Cigarette Lighter Adaptor

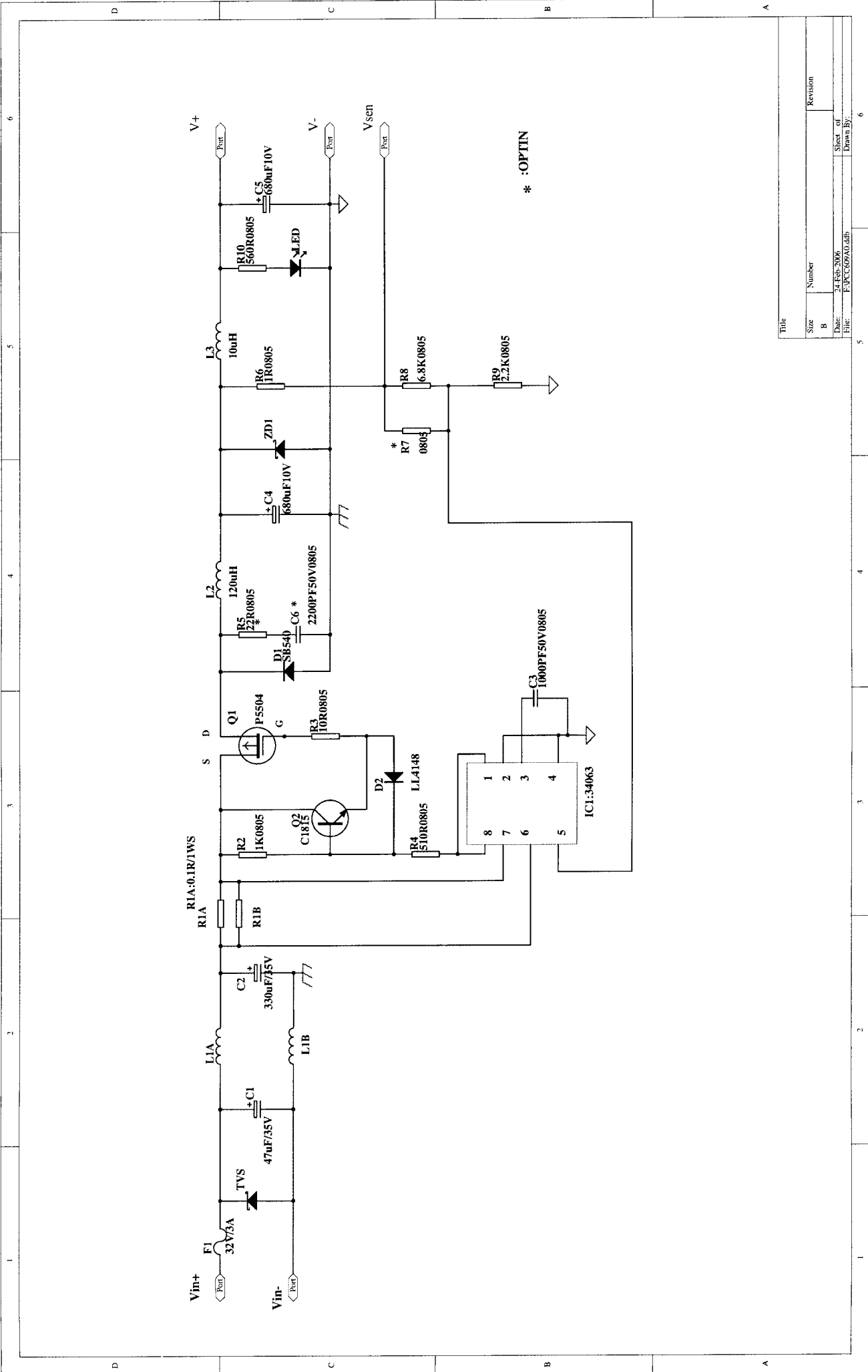
CE FC   INPUT: 12/24V
OUTPUT: 5V 2A **tomtom**  [®]
N14644 FUSE: 3A/32V (4D00.003)

E13 
10R-023510
PCC609050200
MADE IN CHINA

Date Code

DOM 0609





Title		Revision	
Size	Number		
B			
Date:	24 Feb 2006	Sheet of	6
File:	F:\PC\609A0.dfb	Drawn By:	

* :OPTIN

Bill of Material

DESCRIPTION	Quantity	Unit	Location
1.5KE39A	1	PCS	TVS1
47uF.35V.105°C.6*7mm	1	PCS	C1
T37-26 10uH	1	PCS	L1
330uF.35V.105°C.8*15mm.	1	PCS	C2
0.1R 1W SMALL SIZE	1	PCS	R1A
NA	0	PCS	R1B
0.5mm*50Ts Min : 120uH	1	PCS	L2
AOD413	1	PCS	Q1
C1815 TO-92	1	PCS	Q2
680uF.10V.105°C.10*12mm low ESR	2	PCS	C4,C5
L : 13mm JUMP WIRE	1	PCS	J1
L : 12mm JUMP WIRE	1	PCS	J2
L : 10mm JIMP WIRE	1	PCS	J3
DR6*8 0.45mm*19.5Ts 10uH	1	PCS	L3
SB540	1	PCS	D1
1N4735A 1W 6.2V	1	PCS	ZD1
LED.3mm. Green	1	PCS	LED1
1KR./-5%.0805	1	PCS	R2
510R./-5%.0805	1	PCS	R4
10R./-5%.0805	1	PCS	R3
1R./-5%.1206	1	PCS	R6
22R./-5%.0805	1	PCS	R5
6.8KR./-1%.0805	1	PCS	R8
2.2KR./-1%.0805	1	PCS	R9
560R./-5%.0805	1	PCS	R10
SMD.MINI-MELF.LLS4148	1	PCS	D2
PVC.AWG#24.RED.60mm	1	PCS	VIN
PVC.AWG#24.BLACK.60mm	1	PCS	GND
IC.SOP-8.MC34063S	1	PCS	IC1
X7R.1000PF.50V./-5%.0805	1	PCS	C3
X7R.2200PF.50V./-5%.0805	1	PCS	C6
fuse blade 3A/32V	1	PCS	FUSE
CC668A0	1	PCS	Main board PCB
3052 fuse pcb	1	PCS	FOR FUSE PCB
PVCOD4.0 5FT*3C AWG22/2C+AWG26/1C+DC4.0*1.7*11	1	PCS	cable

Output Rating List

Model no.	No Load	Full Load	Output Crrrent	R1A	Fuse
PCC609050200	4.75-5.25V	4.75-5.25V	2000mA	0.2OHM	3A/32V
PCC609050100	4.75-5.25V	4.75-5.25V	1000mA	0.1OHM	3A/32V