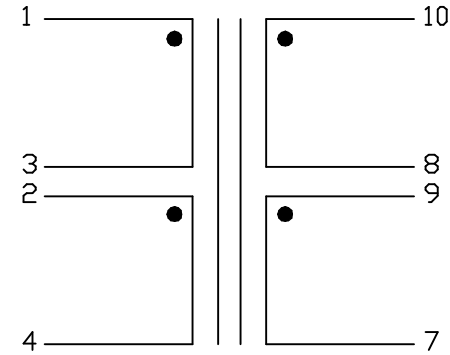
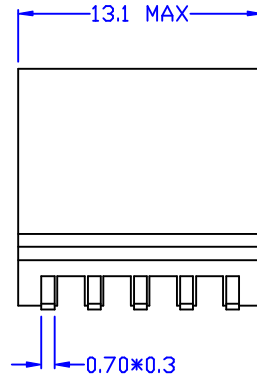
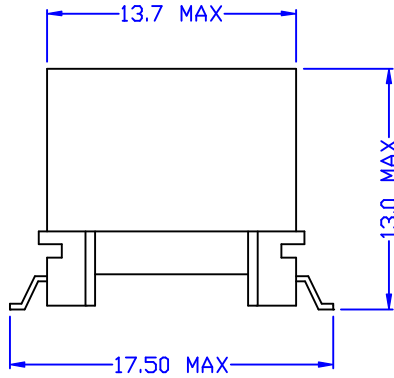
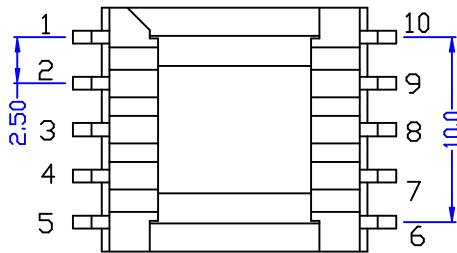


DOT PIN#1



### ELECTRICAL CHARACTERISTICS :

1. DCR : PIN 10-8 = 0.293 OHM  $\pm$  12%  
 PIN 1-3 = 2-4 = 1.17 OHM  $\pm$  12%  
 PIN 9-7 = 0.42 OHM  $\pm$  12%
2. INDUCTANCE (@10KHZ, 0.1Vrms) : PIN 1-4 (W/H 2-3 SHORT) = 1.2mH  $\pm$  5%
3. LEAKAGE INDUCTANCE (@100KHZ, 0.1Vrms) :  
 PIN 1-4 (W/H 2-3 8-9 10-7 SHORT) = 30uH MAX.
4. INTERWINDING CAP. (@10KHZ, 0.1Vrms) :  
 PIN 1-10 (W/H 2-3 8-9 SHORT) = 35pF MAX.
5. TURN RATIO (@1MHZ, 1Vrms) :  
 PIN 1-4 (2-3 SHORT) : 10-7 (8-9 SHORT) = 3  $\pm$  1%
6. HI-POT (@1500VAC, 1mA, 2SEC) : PIN 1-10 (2-3 8-9 SHORT)



						<b>Atech</b> <sup>®</sup> Atech Technology Co., Ltd. TEL:022794-6667 FAX:022794-8004	TITLE	ADSL TRANSFORMER
							DWG. NO.	ATS-556B
RELEASE	03/05/2002	DOLLY	CPLIU	SUEDY	UNITS:	SAFETY	SHEET 1 OF 1	
NO:	DESCRIPTION	DATE	BY	CHK	M/M			
REVISIONS						DATE	03/05/02	
							DRAW	
							Pair	