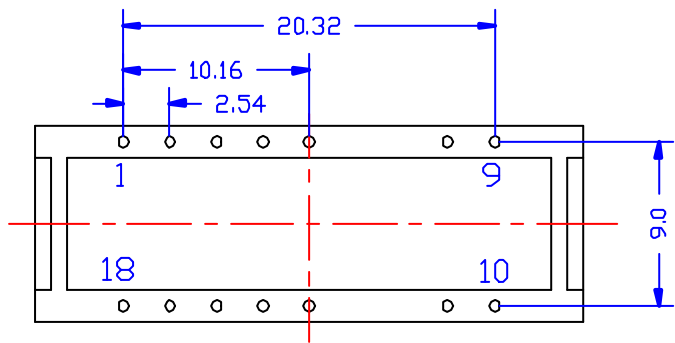
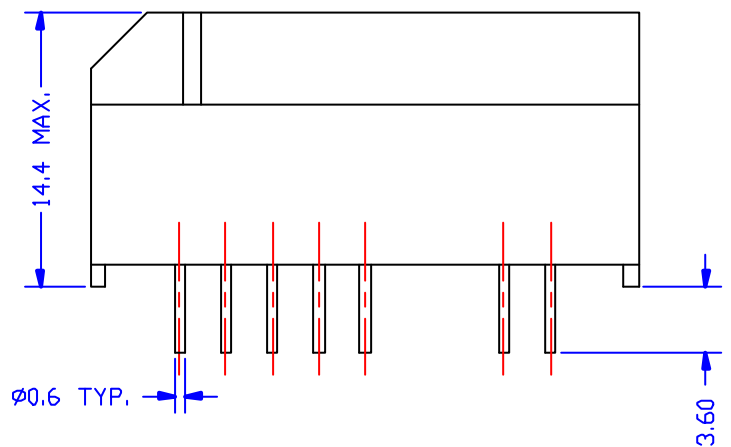


ELECTRICAL CHARACTERISTICS:

1. D.C.R. : 2-17 = 4-15 = 4 OHM MAX.
 9-10 = 8-11 = 4 OHM MAX.
 1-2 = 17-18 = 4-5 = 14-15 = 1.3 OHM MAX.
2. INDUCTANCE : (@10KHZ, 0.1Vrms)
 2-17 = 4-15 = 30mH MIN.
 1-2 = 17-18 = 4-5 = 14-15 = 5mH +50/-30%
3. LEAKAGE INDUCTANCE : (@100KHZ, 0.1Vrms, 9-10,8-11 SHORT)
 2-17 = 4-15 = 4uH MAX.
4. CHOKE LEAKAGE INDUCTANCE : (@100KHZ, 0.1Vrms, 17-18, 14-15 SHORT)
 1-2 = 4-5 = 0.6uH MAX.
5. INTERWINDING CAP.:(@10KHZ,0.1Vrms)
 1-9 = 5-8 = 120pF MAX.
6. TURNS RATIO : (@15KHZ, 0.1Vrms)
 9-10 : 2-17 = 1+/-1%
 8-11 : 4-15 = 1+/-1%
 1-2 : 18-17 = 5-4 : 14-15 = 1+/-1%
7. HI-POT : 2-9, 4-8 (@1500Vrms, 1mA 2SEC.)
 3-16 (@500Vrms, 1mA,2SEC, 1-9, 5-8 SHORT)



								TITLE	
								ISDN SO MODULE	
						Atech Technology Co., Ltd. TEL:(02)2794-8867 FAX:(02)2794-8004		DWG. NO	
								ATS-370	
RELEASE	05/18/99	PAIR	SLEEDY	UNITS	SAFETY		SHEET 1 OF 1		
NO: DESCRIPTION	DATE	BY	CHK	APPD					
REVISIONS						05/18/99		DRAW <i>Patr</i>	