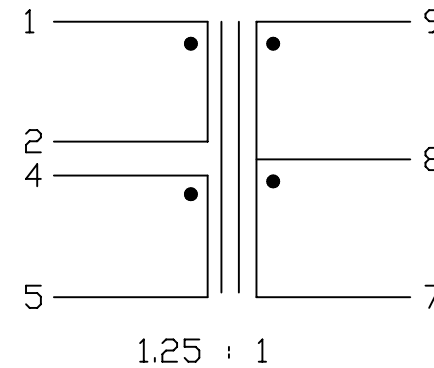


135 OHM  
LINE



ELECTRICAL CHARACTERISTICS : <PE-68628 COMPATIBLE>

1. DCR : PIN 1-5 (2-4 SHORT) = 12 OHM MAX.  
PIN 7-9 = 7 OHM MAX.
2. INDUCTANCE (@10KHZ, 0.1Vrms, W/H 80mADC) :  
PIN 1-5 (2-4 SHORT) = 28mH ± 5.5%
3. LEAKAGE INDUCTANCE (@10KHZ, 0.1Vrms, ) :  
PIN 7-9 (2-4 1-5 SHORT) = 120uH MAX.
4. INTERWINDING CAP. (@10KHZ, 0.1Vrms) :  
PIN 1-9 (2-4 SHORT) = 100pF MAX.
5. TURNS RATIO (@90KHZ, 1Vrms, 2-4 SHORT) :  
PIN 1-5 : PIN 9-7 = 1.25 ± 1%
6. HI-POT (@1500VAC, 1mA, 2SEC) : PRI-SEC

						<b>Atech</b> <sup>®</sup> Atech Technology Co. Ltd. TEL:022794-6667 FAX:022794-8004	TITLE	ISDN-U TRANSFORMER
							DWG. NO.	ATS-309
B	DELETE PIN#6	07/11/2007	PAIR	WILLIE	EUGENE	UNITS: M/M	SAFETY	SHEET 1 OF 1
A	PITCH	08/14/2002	DOLLY	AL	SUEDY			
	RELEASE	09/24/98	PAIR		SUEDY	DATE	P/N:	DRAW
NO.	DESCRIPTION	DATE	BY	CHK	APPD			
REVISIONS								