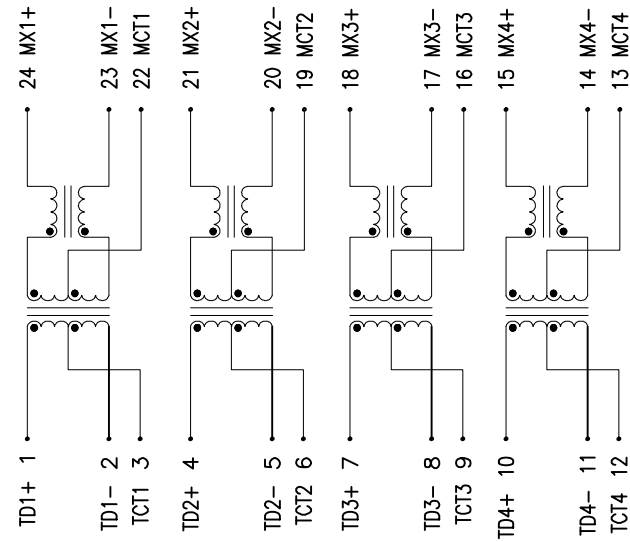


SUGGESTED PAD LAYOUT



ELECTRICAL CHARACTERISTICS :

1. INSULATION HI-POT : 1500 Vrms/0.5mA 1 Sec.
2. TURN RATIO ($\pm 5\%$) : 1CT : 1CT
3. INSULATION RESISTANCE : 10M Ω
4. OCL : 350uH MIN. 8mA/DC Bias (FROM 0°C TO 70°C)
5. CROSS TALK (dB MIN.) : 1-60MHz 60-100MHz
-35 -30
6. INSERTION LOSS (1MHz -100MHz) : -1.0dB MAX.
7. RETURN LOSS (dB MIN. @100 Ω) :
1-30MHz 30-60MHz 60-80MHz 80-100MHz
-18 -14 -12 -10
8. DIFFERENTIAL TO COMMON MODE REJECTION (dB MIN.) :
1-60MHz 60-100MHz
-35 -30
9. LK (100KHz, 0.1Vrms) : 0.5uH MAX.
10. Cw/w (100KHz, 0.1Vrms) : 35pF MAX.
11. DCR : 1.2 Ω MAX.
12. RoHS COMPLIANT

UNLESS OTHERWISE SPECIFIED ALL TOLERANCES ARE ± 0.25

							TITLE 100/1000 BASE-T TRANSFORMER	
							DWG. NO. ATPL-460R	
RELEASE		08/30/2013	SHIRLEY	BETTY	BETTY	UNITS: M/M	SAFETY	SHEET 1 OF 1
NO:	DESCRIPTION	DATE	BY	CHK	APPD	DATE	P/N:	DRAW
REVISIONS						08/30/13		SHIRLEY