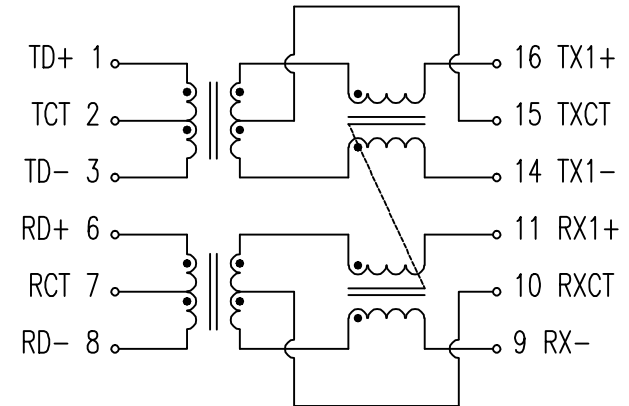


SUGGESTED PAD LAYOUT

TOLERANCES: xx.x0±0.25
0.xx±0.05



* RoHS COMPLIANT

ELECTRICAL SPECIFICATIONS @ 25°C :

1. TURNS RATIO : 1CT : 1CT
2. OCL (100kHz, 0.1V WITH 8mA/DC BIAS) : 350uH MIN.
3. HI-POT : 1500Vrms
- △ 4. INSERTION LOSS : 1-100MHz = -1.1dB MAX.
- △ 5. RETURN LOSS (@100Ω) : 1-30MHz = -18dB MIN.
40MHz = -14.4dB MIN.
50MHz = -13.1dB MIN.
60-80MHz = -12dB MIN.
- △ 6. DCMR : 1-100MHz = -30dB MIN.
- △ 7. CROSS TALK : 1-100MHz = -30dB MIN.
8. Suitable for End-span PoE applications with 720mA current capability
9. OPERATING TEMPERATURE RANGE : -40°C~+85°C

							TITLE 10/100 BASE-TX PoE TRANSFORMER	
							DWG. NO. ATPL-458R	
A	CHANGE ELECTRICAL SPECIFICATIONS	11/01/2016	SHIRLEY	BETTY	BETTY	UNITS: M/M	SAFETY	SHEET 1 of 1
	RELEASE	06/19/2013	SHIRLEY	BETTY	BETTY			
NO:	DESCRIPTION	DATE	BY	CHK	APPD	DATE	P/N:	DRAW
REVISIONS						06/19/13		SHIRLEY