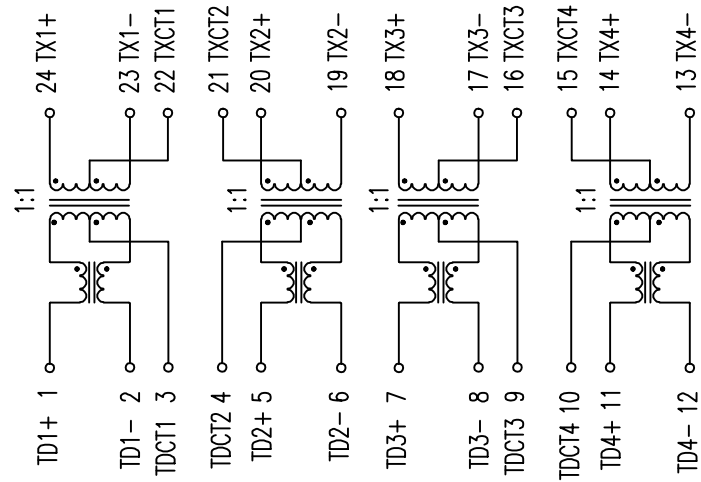


SUGGESTED PCB PAD LAYOUT



ELECTRICAL CHARACTERISTICS :

- INSULATION HI-POT : 1500 Vrms/0.5mA ,1 Sec.
- TURN RATIO ($\pm 5\%$) : 1CT : 1CT
- OCL : 350uH MIN.
- CROSS TALK (dB MIN.) : 30MHz ; -45, 60MHz ; -40, 80MHz ; -35
- INSERTION LOSS (1MHz-100MHz) : -1.0dB MAX.
- RETURN LOSS (dB MIN. @100 Ω) :

1-30MHz	40MHz	50MHz	60-80MHz	100MHz
-18	-16	-16	-12	-10
- DIFFERENTIAL TO COMMON MODE REJECTION (dB MIN.) :

30MHz	60MHz	100MHz
-43	-37	-33
- RoHS COMPLIANT

UNLESS OTHERWISE SPECIFIED , TOLERANCES XX.X0 ± 0.25 mm
0.XX ± 0.05 mm

							TITLE 100/1000 BASE-T TRANSFORMER	
							DWG. NO. ATPL-444R	
RELEASE		07/02/2012	SHIRLEY	BETTY	BETTY	UNITS: M/M	SAFETY	
NO:	DESCRIPTION	DATE	BY	CHK	APPD	DATE	P/N:	SHEET 1 OF 1
REVISIONS						07/02/12	DRAW SHIRLEY	