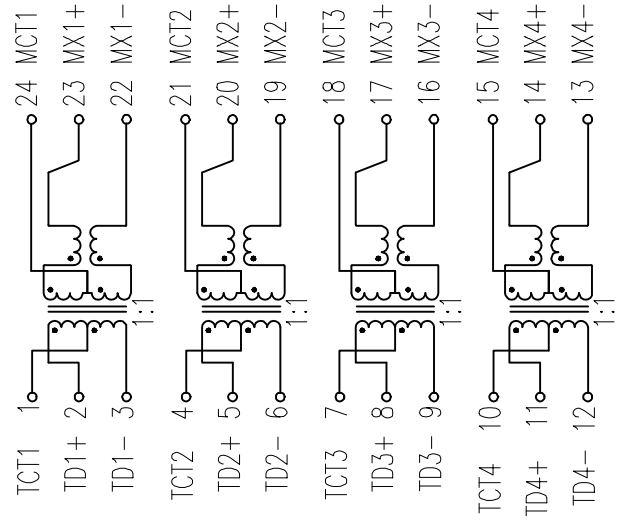


SUGGESTED PAD LAYOUT



ELECTRICAL CHARACTERISTICS:

- INSULATION HI-POT : (5KVrms, 1mA, 2Sec) : PRI / SEC
- TURN RATIO (±5%) : TX = 1CT : 1CT  
RX = 1CT : 1CT
- OCL : 350uH MIN. 100KHz/0.1V AT 8mA DC BIAS
- INSERTION LOSS : 1-100MHz = -1.2dB MAX.
- RETURN LOSS (dB MIN.) :
 

1-30MHz	40MHz	50MHz	60-80MHz	100MHz
-18	-14.4	-13.1	-10	-8
- DIFFERENTIAL TO COMMON MODE REJECTION (dB MIN.) :
 

30MHz	60MHz	100MHz
-43	-37	-33
- CROSS TALK (dB MIN.) :
 

30MHz	60MHz	100MHz
-45	-40	-35
- RoHS COMPLIANT

UNLESS OTHERWISE SPECIFIED ALL TOLERANCES ARE : XX.XX ±0.25mm  
0.XX ±0.05mm

							TITLE PoE SINGLE 1000 BASE-T	
							DWG. NO. ATPL-440R	
A	CHANGE DIM. & ADD TOLERANCE	07/09 /2013	SHIRLEY	BETTY	BETTY	UNITS: M/M	SAFETY	SHEET 1 of 1
	RELEASE	05/22 /2013	SHIRLEY	BETTY	BETTY			
NO:	DESCRIPTION	DATE	BY	CHK	APPD	DATE	P/N:	DRAW
REVISIONS						05/22/13		Shirley