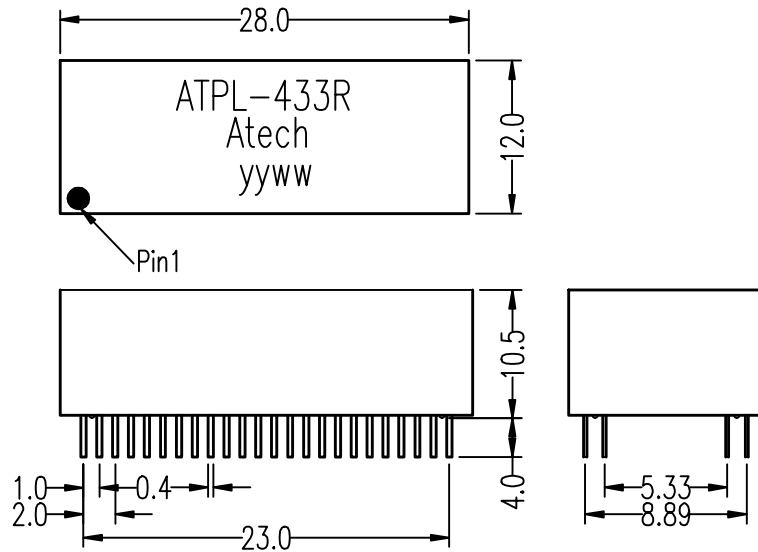
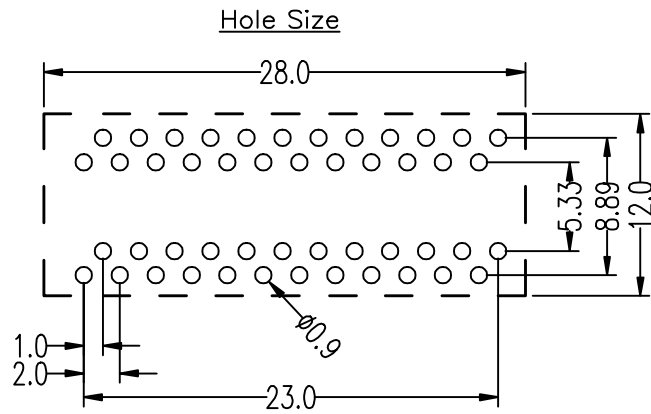


Mechanical Dimensions :



DIP Pad Dimensions : (TOP VIEW)



RECOMMENDED PAD LAYOUT

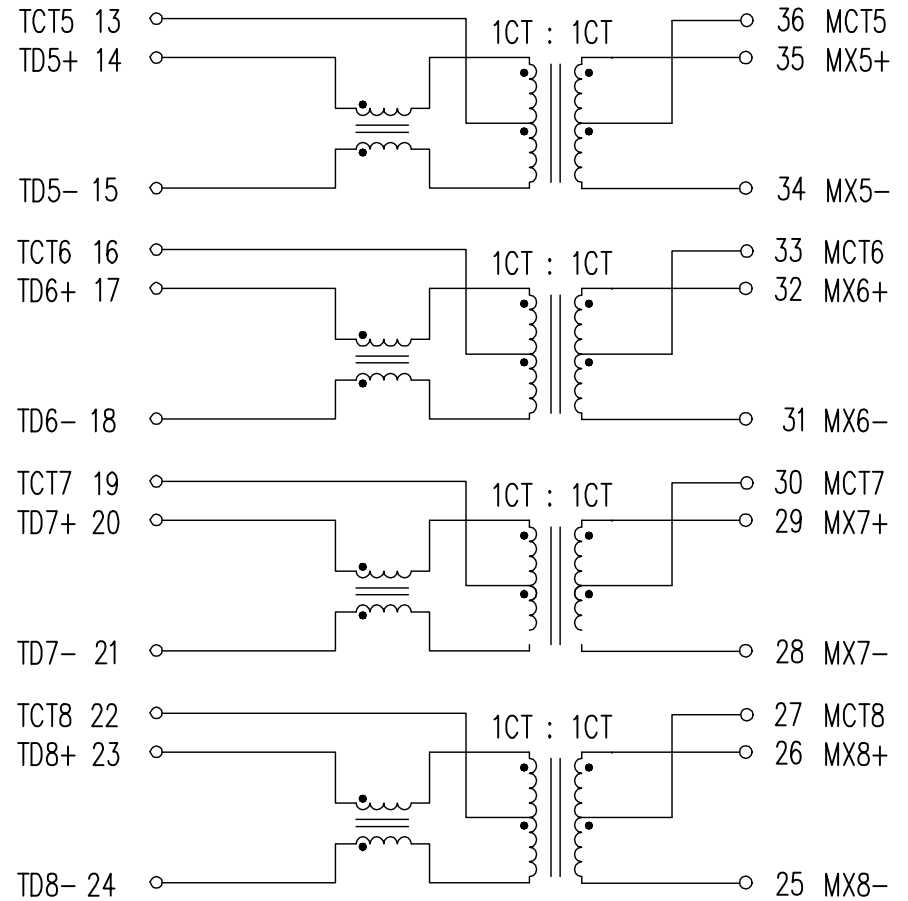
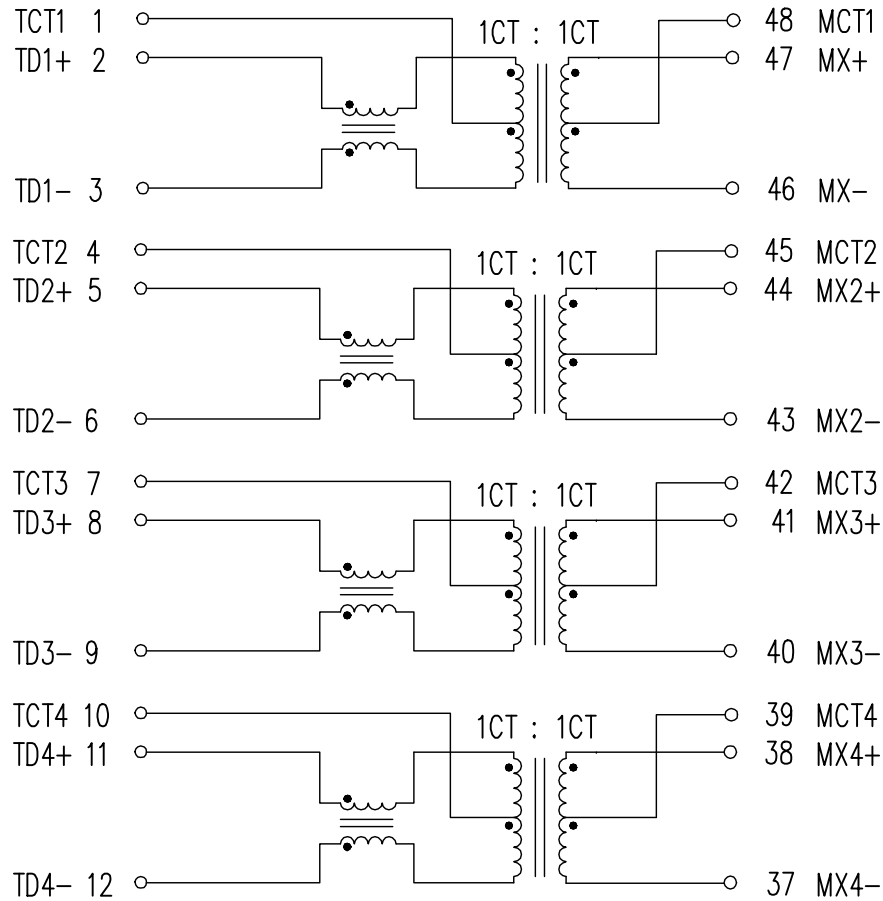
UNITS : MILLIMETER ALL TOLERANCES ARE ± 0.25 mm

ELECTRICAL CHARACTERISTICS :

1. TURNS RATIO : TX = 1CT : 1CT \pm 5%
RX = 1CT : 1CT \pm 5%
2. INSERTION LOSS : 1-100MHZ = -1.1dB MAX.
3. CROSS TALK : 30MHz = -40dB MIN.
60MHz = -35dB MIN.
100MHz = -30dB MIN.
4. RETURN LOSS :(@LOAD100 Ω)
1-30MHz= -16dB MIN.
40MHz= -14.4dB MIN.
50MHz= -13.1dB MIN.
60-80MHz = -12dB MIN.
5. DCMRR : 30MHz = -40dB MIN.
60MHz = -35dB MIN.
100MHz = -30dB MIN.
6. HI-POT : 1500Vrms
7. RoHS COMPLIANT

						AOEM		TITLE 1000 BASE-TX DUAL PORTS TRANSFORMER	
								DWG. NO. ATPL-433R	
RELEASE		11/03/2011	SHIRLEY	BETTY	BETTY	UNITS: M/M	SAFETY		SHEET 1 OF 2
NO:	DESCRIPTION	DATE	BY	CHK	APPD	DATE 11/03/11	P/N:		DRAW SHIRLEY
REVISIONS									

Circuit Schematic :



						AOEM		TITLE 1000 BASE-TX DUAL PORTS TRANSFORMER DWG. NO. ATPL-433R	
RELEASE		11/03/2011	SHIRLEY	BETTY	BETTY	UNITS: M/M	SAFETY		SHEET 2 OF 2
NO:	DESCRIPTION	DATE	BY	CHK	APPD	DATE 11/03/11	P/N:		DRAW SHIRLEY
REVISIONS									