

SUGGESTED PAD LAYOUT

UNLESS OTHERWISE SPECIFIED , ALL TOLERANCE ARE ±0.25

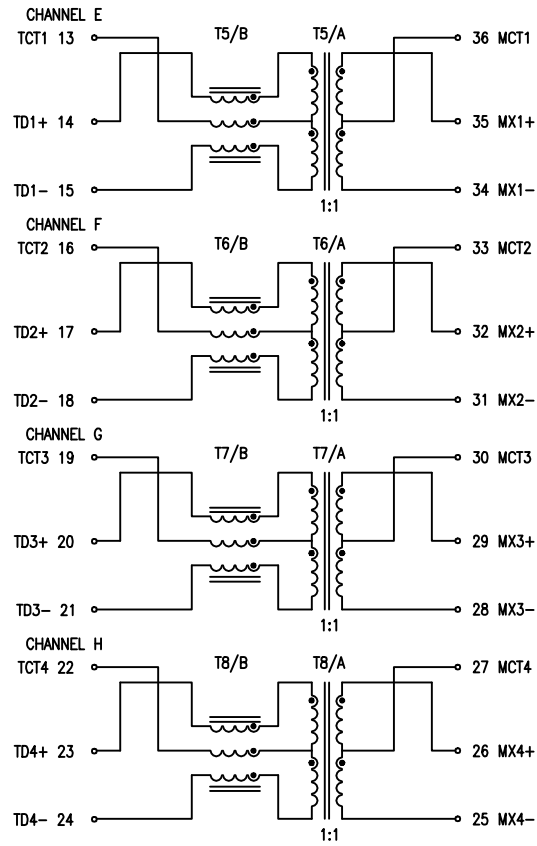
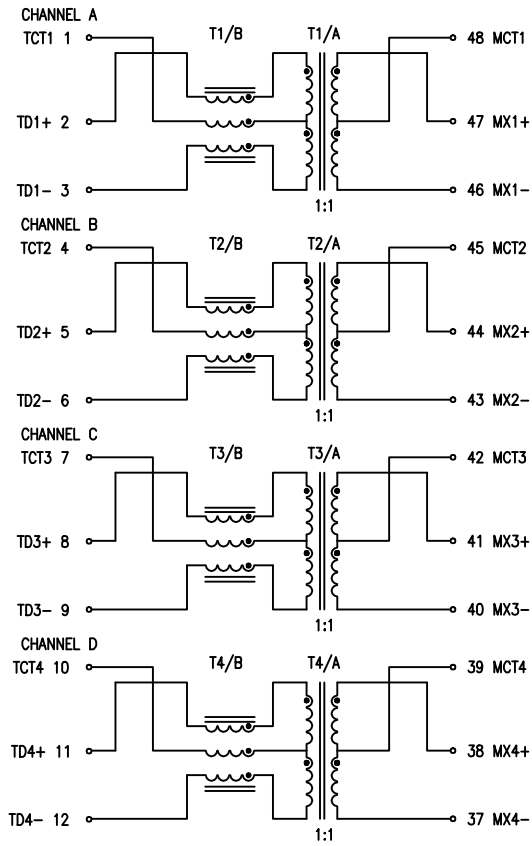
ELECTRICAL CHARACTERISTICS :

- INSULATION HI-POT(PRI./SEC.) : 1500Vrms
- TURN RATIO (±5%) : TX = 1CT : 1CT
RX = 1CT : 1CT
- OCL : 350uH MIN. 100KHz/0.1V AT 15mA DC BIAS
- Rated Current : 600mA MAX.
@57 VDC Continuous PIN 1,4,7,10,13,16,19,22
- INSERTION LOSS : 1-100MHz = -1.0dB MAX.
- RETURN LOSS (dB MIN.) :

1-30MHz	40MHz	50MHz	60-80MHz	100MHz
-18	-14.4	-13.1	-12	-10
- DIFFERENTIAL TO COMMON MODE REJECTION (dB MIN.) :

30MHz	60MHz	100MHz
-42	-35	-30
- RoHS COMPLIANT

							TITLE PoE Plus Quad	
							10/100 BASE-T	
							DWG. NO. ATPL-424R	
RELEASE		05/26/2011	SHIRLEY	BETTY	BETTY	UNITS: M/M	SAFETY	
NO:	DESCRIPTION	DATE	BY	CHK	APPD	DATE	P/N:	SHEET 1 of 2
REVISIONS						05/26/11	DRAW SHIRLEY	



						AOEM. <small>Asch</small>	TITLE PoE Plus Quad 10/100 BASE-T
							DWG. NO. ATPL-424R
	RELEASE	05/26/2011	SHIRLEY	BETTY	BETTY	UNITS: M/M	SAFETY
NO:	DESCRIPTION	DATE	BY	CHK	APPD	DATE	P/N:
						05/26/11	DRAW SHIRLEY

REVISIONS

SHEET 2 OF 2