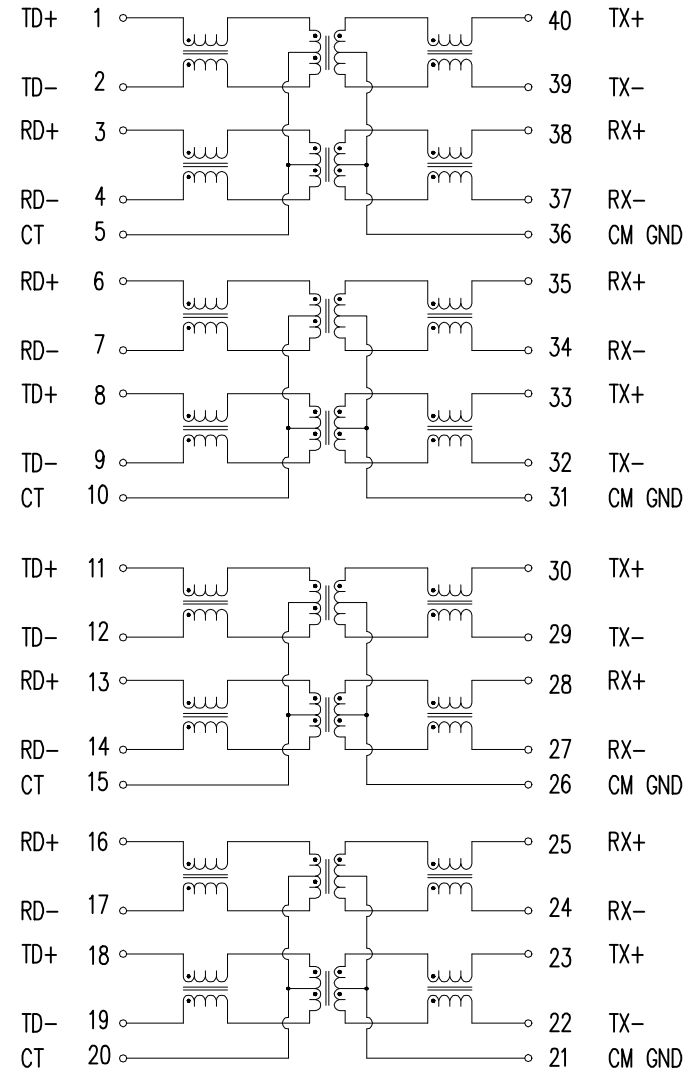


ELECTRICAL CHARACTERISTICS :

1. TURNS RATIO : TX = 1CT : 1CT ±5%
RX = 1CT : 1CT ±5%
2. OCL.(@100KHz, 100mV, 8 mA DC): 350uH MIN.
3. INSERTION LOSS : 1-100MHz = -1.0dB MAX.
3. CROSS TALK : 1-30MHz = -42dB MIN.
60MHz = -40dB MIN.
80-100MHz = -38dB MIN.
4. RETURN LOSS :1-30MHz= -18dB MIN.
60MHz= -12dB MIN.
80MHz= -10dB MIN
- 5 CMRR : 1-30MHz = -45dB MIN.
60MHz = -40dB MIN.
80-100MHz = -35dB MIN.
6. HI-POT (@1500Vrms, 1mA, 2SEC) :PRI-SEC.
7. RoHS COMPLIANT.



| | | | | | | | | | |
|-----------|-------------|---------------|---------|-------|------|---------------|--------|--|---------------|
| | | | | | | AOEM | | TITLE 10/100 BASE-TX QUAD PORTS TRANSFORMER | |
| | | | | | | | | DWG. NO. ATPL-415R | |
| RELEASE | | 12/08 2010 | SHIRLEY | BETTY | KING | UNITS: M/M | SAFETY | | SHEET 1 OF 1 |
| NO: | DESCRIPTION | DATE | BY | CHK | APPD | DATE | P/N: | | DRAW LIGHT |
| REVISIONS | | | | | | 09/25/2009 | | | |