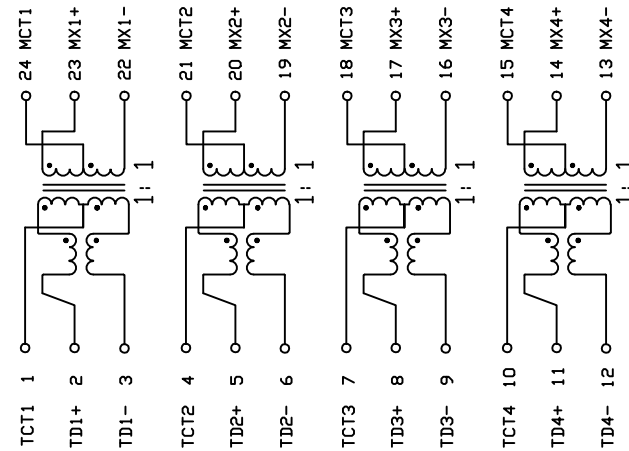


SUGGESTED PAD LAYOUT



ELECTRICAL CHARACTERISTICS :

- INSULATION HI-POT(PRI./SEC.) : 1500Vrms
- TURN RATIO ($\pm 5\%$) : TX = 1CT : 1CT
RX = 1CT : 1CT
- OCL : 350uH MIN. 100KHz/0.1V AT 8mA DC BIAS
- INSERTION LOSS : 0.1-100MHz = -1.0dB MAX.
- RETURN LOSS (dB MIN.) : 1-30MHz 30-60MHz
-18 -14
- CROSS TALK (dB MIN.) : 1-60MHz 60-100MHz
-40 -35
- COMMON MODE REJECTION (dB MIN.) : 1-60MHz 60-100MHz
-37 -28
- RoHS COMPLIANT

							TITLE		SINGLE	
							DWG. NO.		1000 BASE-T	
							DWG. NO.		ATPL-411R	
RELEASE			10/15/2010	SHIRLEY	BETTY	KING	UNITS:	SAFETY		SHEET 1 of 2
							M/M			
NO:	DESCRIPTION	DATE	BY	CHK	APPD	DATE	P/N:	DRAW		
REVISIONS						10/15/10			SHIRLEY	