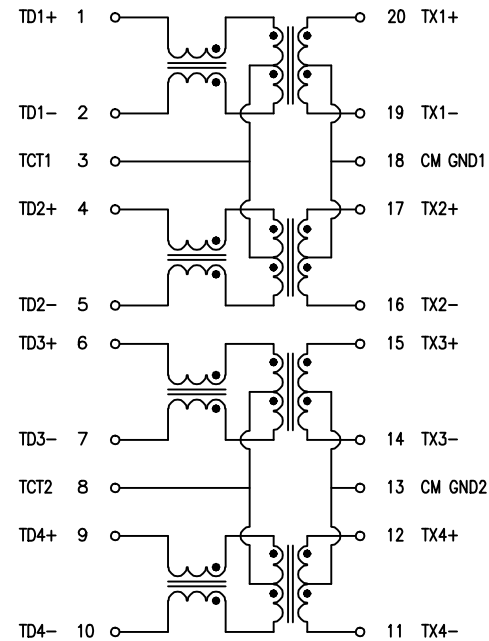


TOLERANCES : ±0.25 mm



ELECTRICAL CHARACTERISTICS :

1. TURNS RATIO : TX = 1CT : 1CT ±5%  
RX = 1CT : 1CT ±5%
2. OCL. (@100KHz/100mV, 8mA DC) : 350 uH MIN.
3. INSERTION LOSS : 1-100MHz = -1.1 dB MAX.
4. CROSS TALK : 0.1~100MHz = -38 dB MIN.
5. RETURN LOSS : 0.5-30MHz = -18 dB MIN.  
40MHz = -15 dB MIN.  
50MHz = -13 dB MIN.  
60-80MHz = -11 dB MIN.
6. CMRR : 0.1-100MHz = -40 dB MIN.
7. HI-POT : (@1500Vrms, 1mA, 1SEC) : PRI-SEC.
8. RoHS COMPLIANT

					<b>AOEM</b>		TITLE 10/100 BASE-TX TRANSFORMER	
							DWG. NO. ATPL-408R	
RELEASE			09/27/2010	SHIRLEY	BETTY	KING	UNITS: M/M	SAFETY
NO:	DESCRIPTION	DATE	BY	CHK	APPD	DATE	P/N:	SHEET 1 of 1
REVISIONS						09/27/10		DRAW SHIRLEY