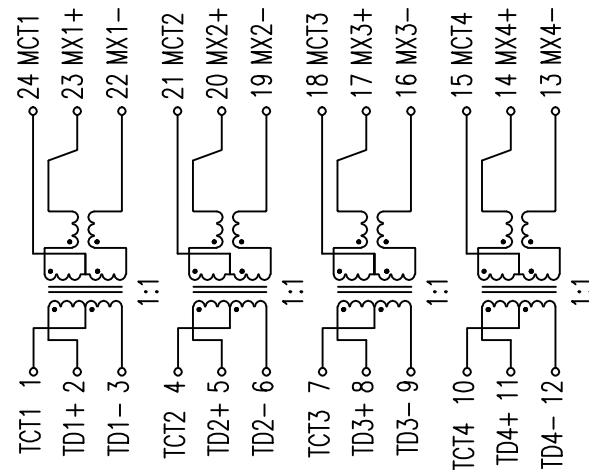


SUGGESTED PAD LAYOUT



ELECTRICAL CHARACTERISTICS :

1. INSULATION HI-POT : 1500 Vrms/0.5mA 1 Sec.
2. TURN RATIO ( $\pm 5\%$ ) : 1CT : 1CT  $\pm 5\%$
3. OCL : (@100KHz, 0.1Vrms) 350uH MIN. , 15mA DC Bias
4. INSERTION LOSS : 0.3MHz = -1.2 dB MAX.  
1-125MHz = -2 dB MAX.
5. RETURN LOSS (dB MIN. @100 $\Omega$ ) : 1-40MHz     40-100MHz  
                                                                     -16                                 -10
6. DIFFERENTIAL TO COMMON MODE REJECTION (dB MIN.) : 30MHz     200MHz  
                                                                                                             -30                                 -15
7. OPERATING TEMPERATURE RANGE : -40°C ~ +85°C
8. RoHS COMPLIANT

							TITLE 100/1000 BASE-T TRANSFORMER	
							DWG. NO. ATPL-405R	
RELEASE	09/17/2010	SHIRLEY	BETTY	KING	UNITS: M/M	SAFETY		
NO:	DESCRIPTION	DATE	BY	CHK	APPD	DATE	P/N:	
REVISIONS						09/17/10	SHIRLEY	
						SHEET 1 OF 1		