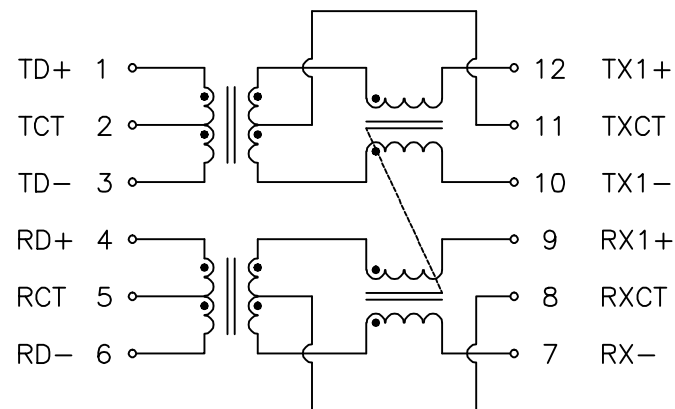


PCB LAYOUT MOUNTING HOLE
TOP VIEW

UNLESS OTHERWISE SPECIFIED ALL TOLERANCES ARE ±0.25



ELECTRICAL SPECIFICATIONS @ 25°C :

1. TURNS RATIO : 1CT : 1CT
2. OCL (100KHz, 0.1V WITH 8mA/DC BIAS) : 350uH MIN.
3. HI-POT : 1500Vrms
4. CROSS TALK : 30MHz = -45dB MIN. 60MHz = -40dB MIN.
100MHz = -35dB MIN.
5. INSERTION LOSS : 1-100MHz = -1.2dB MAX.
6. RETURN LOSS (@100Ω) : 1-30MHz = -16dB MIN. 40MHz = -14dB MIN.
50MHz = -13dB MIN. 60-80MHz = -12dB MIN.
7. DCMRR : 30MHz = -43dB MIN. 60MHz = -37dB MIN.
100MHz = -33dB MIN.
8. OPERATING TEMPERATURE RANGE : 0°C~+70°C
STORAGE TEMPERATURE RANGE : 0°C~+85°C
9. RoHS COMPLIANT

							TITLE 10 / 100 BASE-TX PoE TRANSFORMER	
							DWG. NO. ATPL-389R	
RELEASE		06/09/2010	SHIRLEY	BETTY	KING	UNITS: M/M	SAFETY	
NO:	DESCRIPTION	DATE	BY	CHK	APPD	DATE	P/N:	SHEET 1 of 1
REVISIONS						06/09/10	DRAW SHIRLEY	