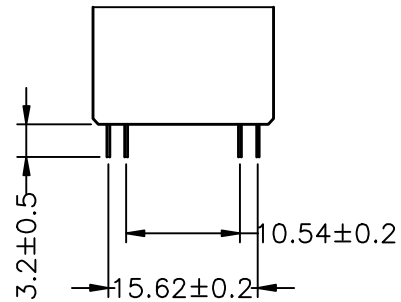
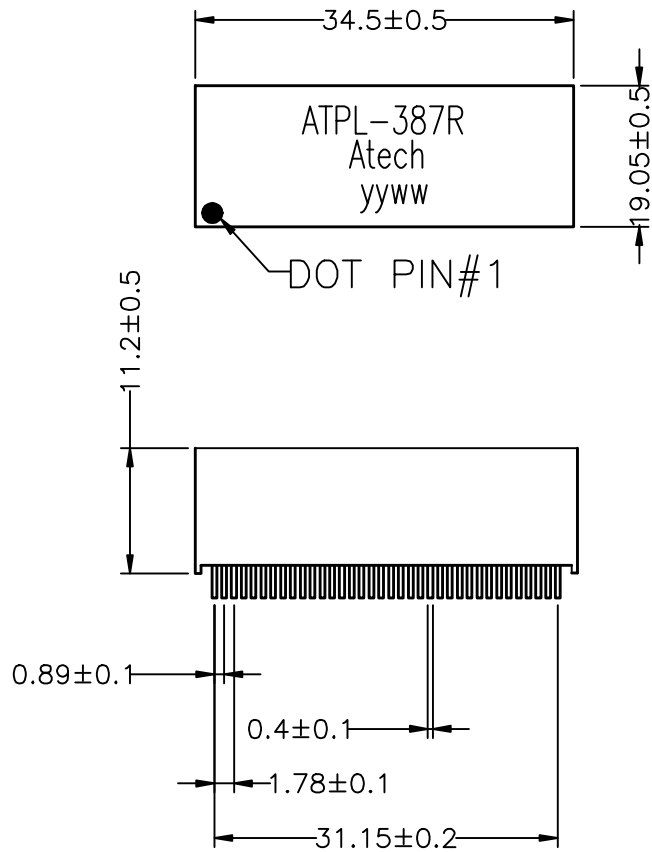
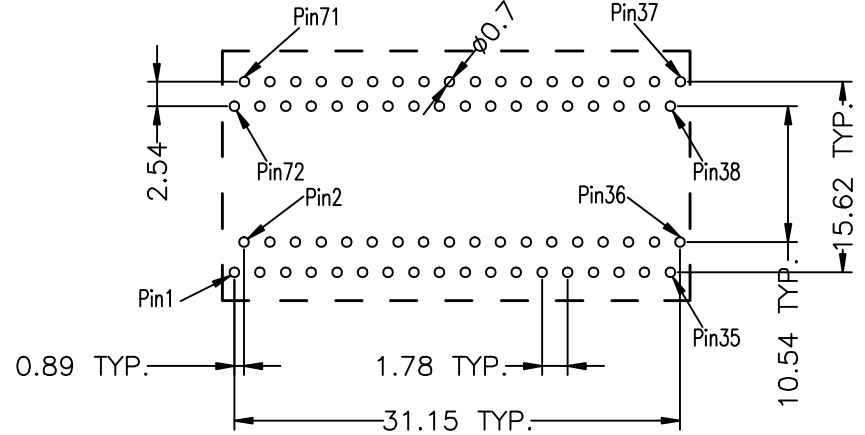


Mechanical Dimensions :



DIP Pad Dimensions : (TOP VIEW)

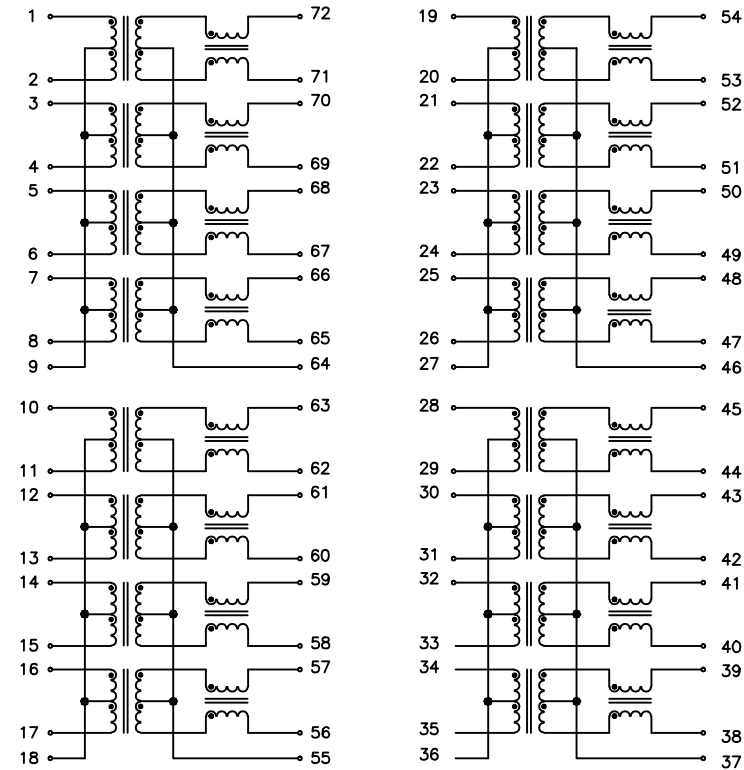


RECOMMENDED PAD LAYOUT

								TITLE: 1000 BASE-T QUAD PORT TRANSFORMER MODULE	
								DWG. NO. ATPL-387R	
	RELEASE	03/07/2014	SHIRLEY	BETTY	BETTY	UNITS:	SAFETY		SHEET 1 of 2
NO:	DESCRIPTION	DATE	BY	CHK	APPD	M/M	P/N:		DRAW
REVISIONS						03/07/14			SHIRLEY

ELECTRICAL CHARACTERISTICS :

1. TURNS RATIO : TX = 1CT : 1CT \pm 5%
RX = 1CT : 1CT \pm 5%
2. INSERTION LOSS : 1-100MHZ = -1.1dB MAX.
3. CROSS TALK : 1-100MHz = -30dB MIN.
4. RETURN LOSS :(@LOAD100 Ω)
1-30MHz= -18dB MIN.
40MHz= -14.4dB MIN.
50MHz= -13.1dB MIN.
60-80MHz = -12dB MIN.
100MHz = -10dB MIN.
- 5 DCMRR : 1-100MHz = -30dB MIN.
6. LK (100KHz, 0.1Vrms) : 0.5uH MAX.
7. DCR : 1.4 Ω MAX.
8. HI-POT : 1500Vrms
9. RoHS COMPLIANT



UNLESS OTHERWISE SPECIFIED ALL TOLERANCES ARE \pm 0.25

						AOEM		TITLE 1000 BASE-T QUAD PORT TRANSFORMER MODULE	
								DWG. NO. ATPL-387R	
RELEASE		03/07 /2014	SHIRLEY	BETTY	BETTY	UNITS: M/M	SAFETY		SHEET 2 of 2
NO:	DESCRIPTION	DATE	BY	CHK	APPD	DATE	P/N:	DRAW SHIRLEY	
REVISIONS						03/07/14			