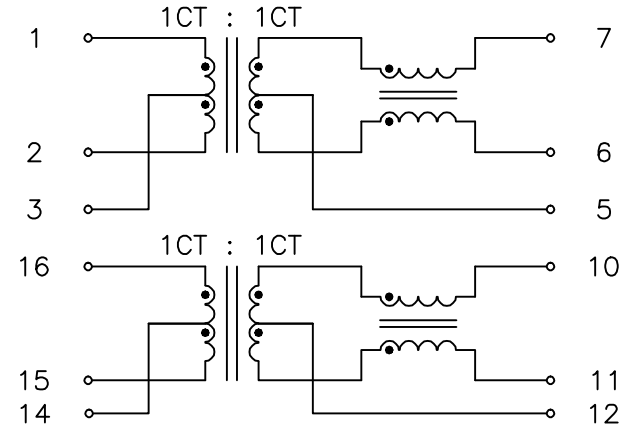


PIN 4-13 & 8-9 CUT OUT

TOLERANCES : XX.X ± 0.25
X.XX ± 0.05



ELECTRICAL SPECIFICATIONS @25°C :

1. TURNS RATIO : TX = 1CT : 1CT RX = 1CT : 1CT
2. OCL (100KHz/0.2V WITH 8mA/DC BIAS) : 350uH MIN.
3. DCR : 1.2 Ω MAX.
4. CW/W : 20pF TYP.
5. L.L : 0.5uH MAX.
6. HI-POT : 1500Vrms
7. INSERTION LOSS : 0.5-100MHz = -1.1dB MAX.
8. CROSS TALK : 0.5-40MHz = -35dB MIN.
40.1-100MHz = 33-20dB MIN.*log(f/50)
9. RETURN LOSS : 0.5-30MHz = -18dB MIN.
30.1-60MHz = 18-20dB*Log(f/30)
60.1-80MHz = -12dB MIN.
10. CROSS TALK : 0.5-4.0MHz = -35dB MIN.
40.1-100MHz = 33-20dB MIN.*log(f/50)
11. CMRR : 0.5-100MHz = -30dB MIN.
12. RoHS COMPLIANT

								TITLE 10/100 BASE-TX TRANSFORMER	
								DWG. NO. ATPL-374R	
RELEASE		04/13/2010	KING	BETTY	KING	UNITS: M/M	SAFETY		SHEET 1 of 1
NO:	DESCRIPTION	DATE	BY	CHK	APPD	DATE	P/N:		DRAW
REVISIONS						4/13/2010			KING