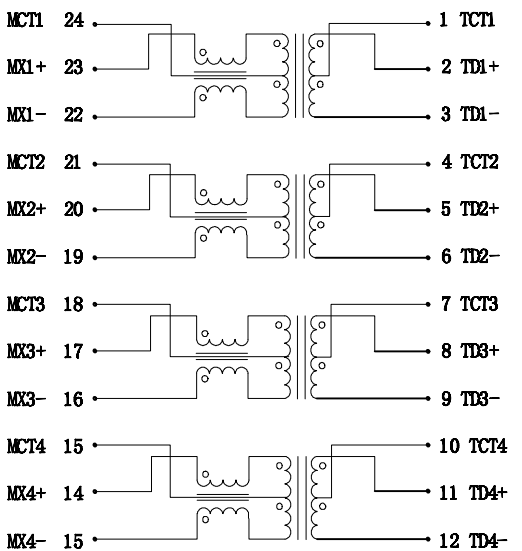


SUGGESTED PAD LAYOUT



**ELECTRICAL CHARACTERISTICS :**

1. INSULATION HI-POT : 1500 Vrms/0.5ma 1 Sec.
2. TURN RATIO (±5%) : 1CT : 1CT
3. INSULATION RESISTANCE : 10MΩ
4. OCL : 350μH MIN. 8mA/DC Bias (FROM 0°C TO 70°C)
5. CROSS TALK (dB MIN.) : 30MHz ; -45 60MHz ; -40 100MHz;-35
6. INSERTION LOSS (1MHz - 100MHz) : -1.0dB MAX.
7. RETURN LOSS (dB MIN. @100Ω) :
 

1-30MHz	40MHz	50MHz	60-80MHz	100MHz
-18	-14.4	-13.1	-12	-10
8. DIFFERENTIAL TO COMMON MODE REJECTION (dB MIN.) :
 

30MHz	60MHz	100MHz
-43	-37	-33
9. RoHS COMPLIANT

UNLESS OTHERWISE SPECIFIED ALL TOLERANCES ARE ±0.25

						TITLE 100/1000 BASE-T TRANSFORMER	
						DWG. NO. ATPL-370R	
RELEASE		05/03	SHIRLEY	BETTY	BETTY	SAFETY	
DESCRIPTION		DATE	BY	CHK	APPD	SHEET 1 OF 1	
REVISIONS						DATE	DRAW
						05/03/11	SHIRLEY