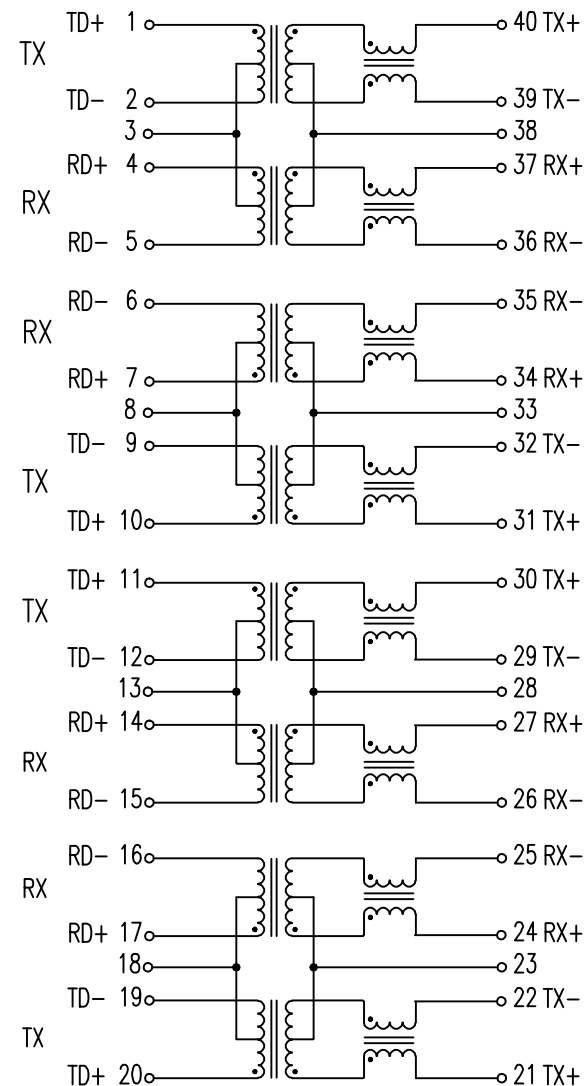


UNLESS OTHERWISE SPECIFIED ALL TOLERANCES ARE ± 0.25

ELECTRICAL CHARACTERISTICS :

1. TURNS RATIO ($\pm 5\%$) : TX = 1CT : 1CT
RX = 1CT : 1CT
2. OCL (@100KHz/0.1Vrms 8mA DC/Bias) : 350uH MIN.
3. INSERTION LOSS : 1~100 MHz = -1.15 dB MAX.
4. RETURN LOSS : 1~30MHz = -16 dB MIN.
30~60 MHz = -12 dB MIN.
60~80 MHz = -10 dB MIN.
5. CROSS TALK : 1~60MHz = -45 dB MIN.
60~100MHz = -35 dB MIN.
6. CMRR : 1~60MHz = -37 dB MIN.
60~100MHz = -30 dB MIN.
7. HI-POT : 1500 Vrms.
8. RoHS COMPLIANT.



						AOEM <small>Atech</small>		TITLE 10/100 BASE-TX TRANSFORMER	
								DWG. NO. ATPL-366R	
RELEASE		10/31/2011	SHIRLEY	BETTY	BETTY	UNITS: M/M	SAFETY		SHEET 1 of 1
NO:	DESCRIPTION	DATE	BY	CHK	APPD	DATE	P/N:	DRAW Shirley	
REVISIONS						10/31/11			