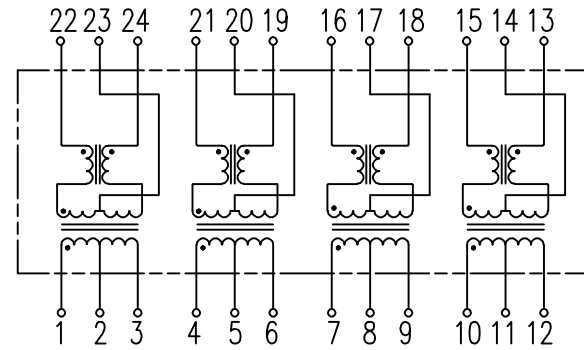
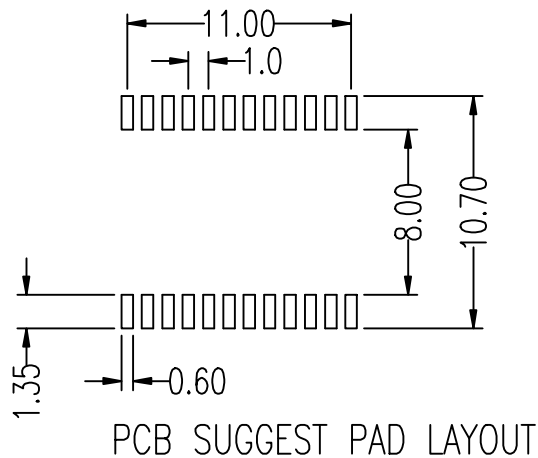


UNLESS OTHERWISE SPECIFIED ALL TOLERANCES ARE ± 0.25



ELECTRICAL SPECIFICATIONS @25°C :

1. OCL : 350uH MIN. @100KHz, 0.1Vrms 8mA DC BIAS
2. TURN RATIO : TX = 1CT : 1CT
RX = 1CT : 1CT
3. VOLTAGE ISOLATION : 1500Vrms
4. INSERTION LOSS : 1-100MHz = -1.0dB MAX.
5. RETURN LOSS (@100Ω) : 1-30MHz = -18dB MIN.
40MHz = -14.4dB MIN.
50MHz = -13.1dB MIN.
60-80MHz = -12dB MIN.
100MHz = -10dB MIN.
6. CROSS TALK : 30MHz = -45dB MIN.
60MHz = -40dB MIN.
80MHz = -35dB MIN.
7. DIFFERENTIAL TO COMMON MODE REJECTION :
30MHz = -43dB MIN.
60MHz = -37dB MIN.
100MHz = -33dB MIN.
8. RoHS COMPLIANT

								TITLE 10/100/1000 BASE-T TRANSFORMER	
								DWG. NO. ATPL-361R	
A	Current Tolerance	07/09/2013	SHIRLEY	BETTY	BETTY	UNITS: M/M		SAFETY	
	RELEASE	11/11/2011	SHIRLEY	BETTY	BETTY			SHEET 1 of 1	
NO:	DESCRIPTION	DATE	BY	CHK	APPD	DATE 11/11/11		P/N: DRAW SHIRLEY	
REVISIONS									