
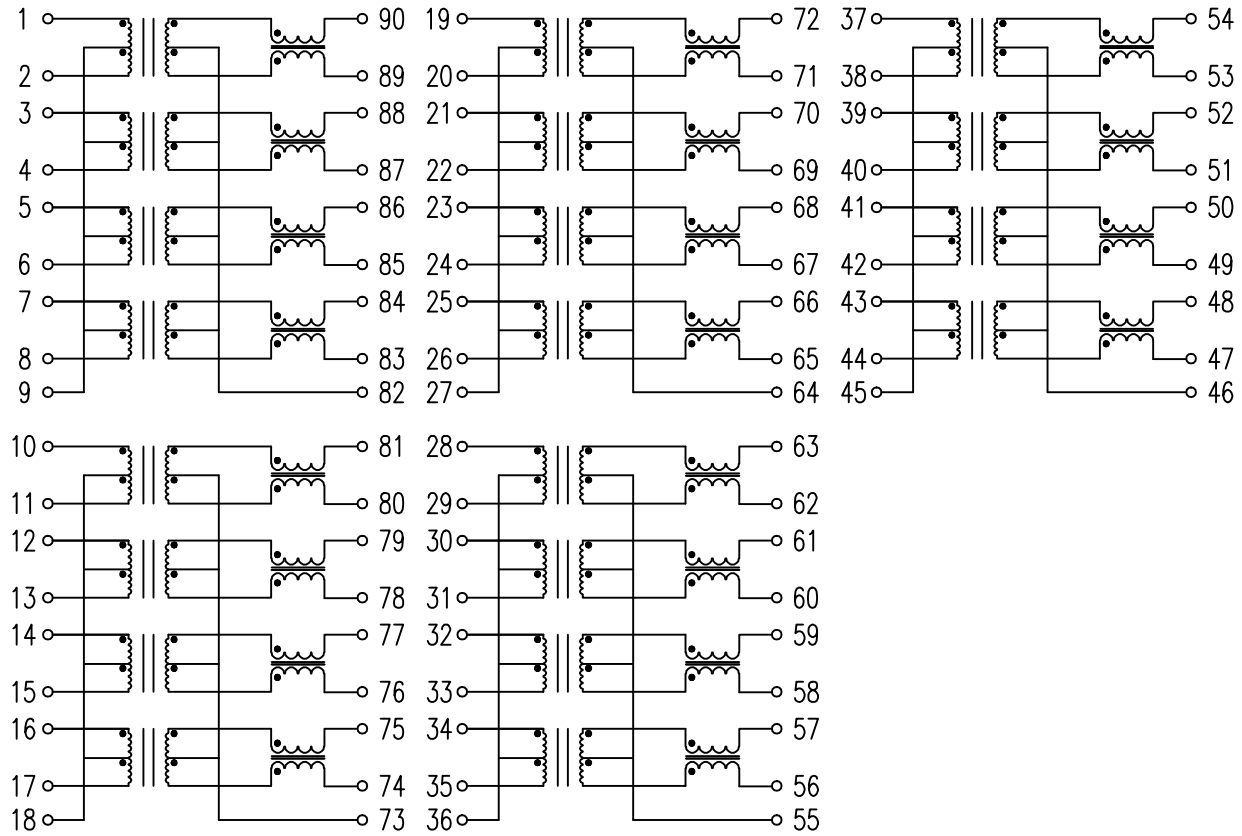



TOLERANCE : ±0.25mm

ELECTRICAL CHARACTERISTICS :

1. TURNS RATIO : 1CT : 1CT
2. INDUCTANCE OCL : (100KHz, 0.1V, WITH 8mA/DC BIAS) : 350uH MIN.
3. HI-POT : 1500Vrms
4. LEAKAGE INDUCTANCE : 100KHz 0.1V : 0.3uH MAX.
5. INTERWINDING CAPACITANCE : 1MHz. 0.5V. 100pF MAX.
6. INSERTION LOSS : 1-100MHz : -1.0dB TYP
7. RETURN LOSS : 1-60 MHz = -18dB MIN.
60-100 MHz = -12dB MIN.
8. CROSS TALK : 1 MHz = -55 dB TYP
30 MHz = -45 dB TYP
60 MHz = -40 dB TYP
100 MHz = -33 dB TYP
9. COMMON MODE REJECTION : 1-60 MHz = -37dB MIN.
60-100 MHz = -12dB MIN.
10. RoHS COMPLIANCE

					 <small>Link & Power up Your Life !!</small> TEL: (02)6629-6667 FAX: (02)6629-8662		TITLE 1000 BASE-TX Quad Port	
							DWG. NO. ATPL-359R	
RELEASE	11/11/2009	LIGHT	WILLIE	KING	UNITS: M/M	SAFETY		SHEET 1 OF 2
NO:	DESCRIPTION	DATE	BY	CHK	APPD	DATE	P/N:	DRAW
REVISIONS					09/11/11			LIGHT



						 <small>Link & Power up Your Life !!</small> TEL: (02)6629-6667 FAX: (02)6629-8662	TITLE 10/100 BASE-TX MODULE	
							DWG. NO. ATPL-359R	
	RELEASE	11/11 /2009	LIGHT	WILLIE	KING	UNITS: M/M	SAFETY	
NO:	DESCRIPTION	DATE	BY	CHK	APPD	DATE	P/N:	SHEET 2 OF 2
REVISIONS						09/11/11		DRAW LIGHT