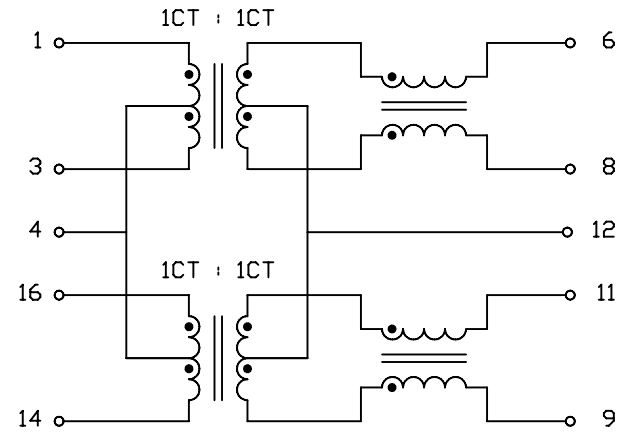


TOLERANCES : XX.X ± 0.25
X.XX ± 0.05



ELECTRICAL SPECIFICATIONS @25°C :

1. TURNS RATIO : 1CT : 1CT
2. DCL (100KHZ/100mV WITH 8mA/DC BIAS) : 350uH MIN.
3. HI-PDT : 1500Vrms
4. INSERTION LOSS : 1-100MHZ = -1.0dB TYP.
5. CROSS TALK : 1-60MHZ = -40dB MIN.
60-100MHZ = -38dB MIN.
6. RETURN LOSS(@100 OHM) : 1-30MHZ = -16dB MIN.
30-60MHZ = 16-20dB Log(f/30MHZ)
60-80MHZ = -10dB MIN.
7. CMRR(TX/RX) : 1-60MHZ = -45/-40dB MIN.
60-100MHZ = -40/-35dB MIN.
8. RoHS COMPLIANT

						Atech [®]		TITLE 10/100 BASE-TX TRANSFORMER	
						Atech Technology Co. Ltd. TEL:02794-6667 FAX:02794-8004		DWG. NO. ATPL-313R	
RELEASE		07/30 /2007	PAIR	WILLIE	EUGENE	UNITS: M/M		SAFETY	
NO.	DESCRIPTION	DATE	BY	CHK	APPD	DATE		SHEET 1 OF 1	
REVISIONS						07/30/07		DRAW <i>Pair</i>	