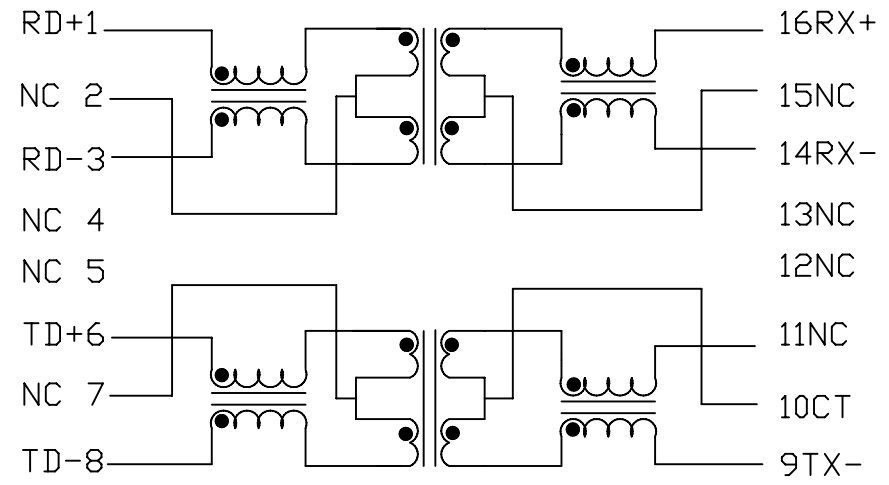


suggested pad layout



ELECTRICAL CHARACTERISTICS :

1. TURNS RATIO : PIN 1-3 : 16-14 = 1CT : 1CT  
PIN 6-8 : 11-9 = 1CT : 1CT
2. OCL (100KHz / 0.01V WITH 8mA DC BIAS) : 350uH MIN.
3. L.L (100KHz / 0.1V) : 0.5uH MAX.
4. CWW : 28pF MAX.
5. DCR : 1.1 OHM MAX.
6. INSERTION LOSS (0.3-100MHZ) : -1.1 dB MAX.
7. RETURN LOSS : 0.3-30MHZ = -18dB MIN.  
40MHZ = -15.5dB MIN.  
50MHZ = -13dB MIN.  
60-80MHZ = -12dB MIN.
8. CROSS TALK : 0.3-60MHZ = -45dB MIN.  
60-100MHZ = -35dB MIN.
9. DCMR : 30MHA = -40dB MIN.  
60MHZ = -35dB MIN.  
100MHZ = -30dB MIN.
10. HI-POT : 1500Vrms
11. RoHS COMPLIANT

UNLESS OTHERWISE SPECIFIED ALL TOLERANCES ARE ± 0.25

						<b>Atech</b> <sup>®</sup>		TITLE TRANSFORMER	
						Atech Technology Co. Ltd.		DWG. NO. ATPL-307R	
						TEL:02794-6667 FAX:02794-8004			
RELEASE	04/25/2007	PAIR	WILLIE	EUGENE	UNITS:	SAFETY		SHEET 1 OF 1	
NO	DESCRIPTION	DATE	BY	CHK	APPD	M/M			DRAW Pair
REVISIONS						DATE 04/25/07			