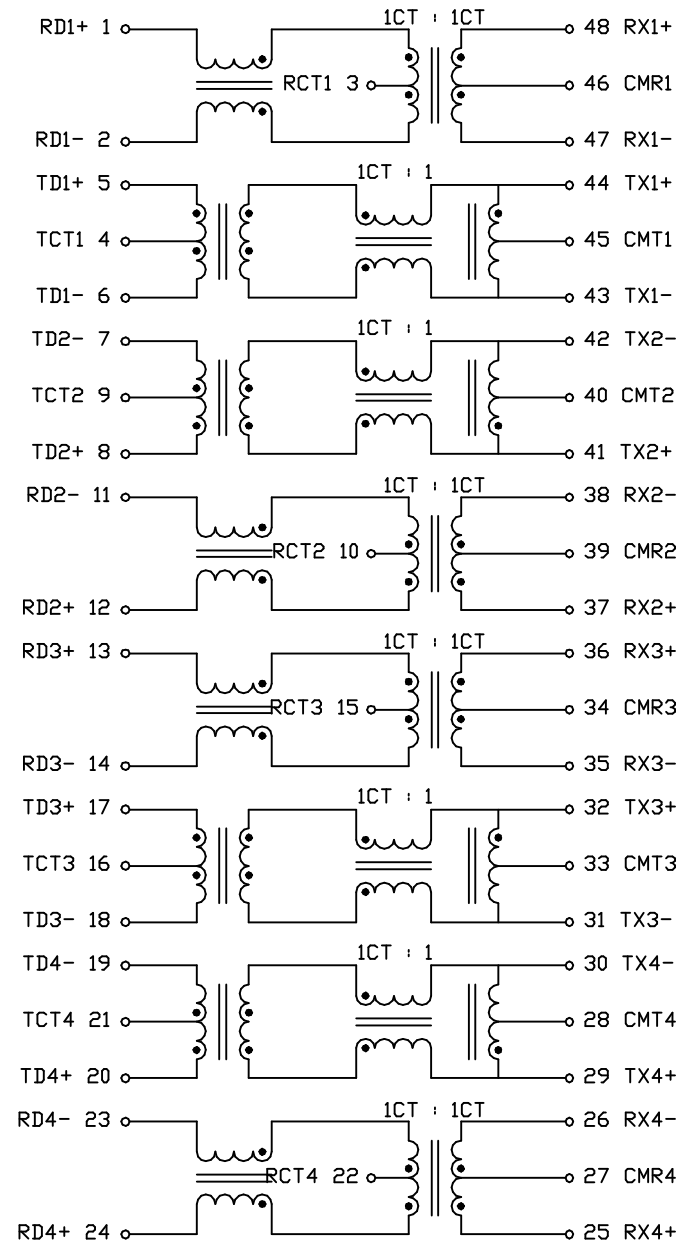


TOLERANCES : XX.X ± 0.25
 X.XX ± 0.05

ELECTRICAL SPECIFICATIONS :

1. TURNS RATIO : TX = 1CT : 1
 RX = 1CT : 1CT
2. DCL (100KHZ/0.1V WITH 8mA/DC BIAS) : 350uH MIN.
3. HI-POT : 1500Vrms
4. DC RESISTANCE BALANCE ≤ 3.5%
5. CROSS TALK : 60MHZ = -40dB MIN.
 100MHZ = -35dB MIN.
6. INSERTION LOSS : 1-100MHZ = -1.2dB MAX.
7. RETURN LOSS (@100 OHM) : 1-30MHZ = -16dB MIN.
 40MHZ = -14dB MIN.
 50MHZ = -13dB MIN.
 60-80MHZ = -12dB MIN.
8. DCMRR : 30MHZ = -43dB MIN.
 60MHZ = -37dB MIN.
 100MHZ = -33dB MIN.



					Atech®		TITLE 10/100 BASE-TX TRANSFORMER	
					Atech Technology Co., Ltd.		DWG. NO. ATPL-196	
					TEL: 022794-6667 FAX: 022794-8004			
RELEASE	12/12/2002	DOLLY	AL	SUEDY	UNITS: M/M	SAFETY		
NO.	DESCRIPTION	DATE	BY	CHK	APPD	DATE	SHEET 10F 1	
REVISIONS							12/12/02	DRAW <i>Pair</i>