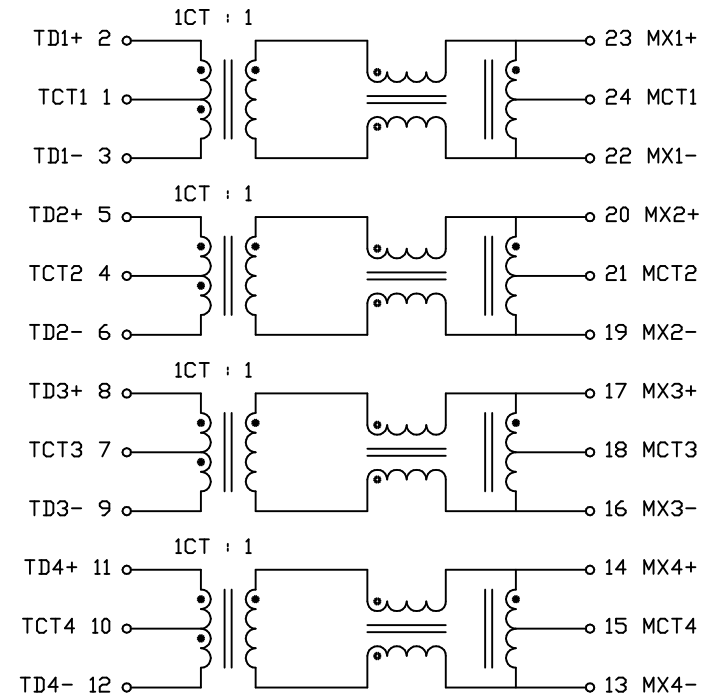


TOLERANCE : XX.X ± 0.25
 X.XX ± 0.05



ELECTRICAL SPECIFICATIONS @25°C : (H5008 COMPATIBLE)

- TURN RATIO : TX = 1CT : 1
RX = 1CT : 1
- VOLTAGE ISOLATION : 1500Vrms
- INSERTION LOSS : 1-100MHZ = -1.0dB MAX.
- RETURN LOSS (@100 OHM) : 1-30MHZ = -18dB MIN.
 40MHZ = -14.4dB MIN.
 50MHZ = -13.1dB MIN.
 60-80MHZ = -12dB MIN.
 100MHZ = -10dB MIN.
- CROSS TALK : 30MHZ = -45dB MIN.
 60MHZ = -40dB MIN.
 100MHZ = -35dB MIN.
- DIFFERENTIAL TO COMMON MODE REJECTION : 30MHZ = -43dB MIN.
 60MHZ = -37dB MIN.
 100MHZ = -33dB MIN.
- RoHS COMPLIANCE

					 Atech [®] Atech Technology Co., Ltd. TEL:022794-6667 FAX:022794-8004		TITLE 1000 BASE-T TRANSFORMER	
							DWG. NO. ATPL-186R	
RELEASE	02/06/2006	PAIR	AL	SUEDY	UNITS: M/M	SAFETY		SHEET 10F 1
NO.	DESCRIPTION	DATE	BY	CHK	APPD	DATE	DRAW Pair	
REVISIONS						02/06/06		