

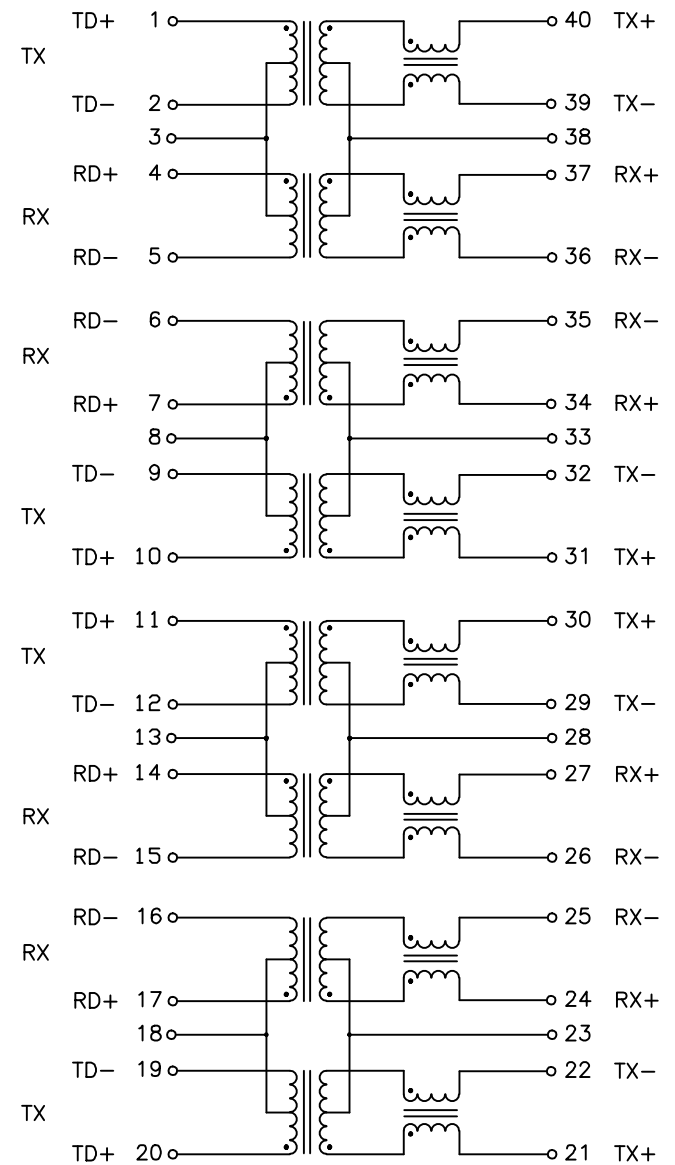
UNLESS OTHERWISE SPECIFIED, ALL TOLERANCES ARE mm  
 XX.XX±0.25 0.XX±0.05

UNLESS OTHERWISE SPECIFIED ALL TOLERANCES ARE ± 0.25

\* RoHS COMPLIANT

ELECTRICAL CHARACTERISTICS :

1. TURNS RATIO : TX/RX = 1CT : 1CT
2. PRI OCL (@100kHz/0.1V) : 350uH MIN.
3. INSERTION LOSS : 1-100MHz = -1.1dB MAX.
4. RETURN LOSS (@100Ω) : 1-30MHz = -18dB MIN.  
 40MHz = -14.4dB MIN.  
 50MHz = -13.1dB MIN.  
 60-80MHz = -12dB MIN.
5. DCMR : 1-100MHz = -30dB MIN.
6. CROSS TALK : 1-100MHz = -30dB MIN.
7. LK(@100KHz, 0.1Vrms) : 0.5uH MAX.
8. DCR : 1.4Ω MAX.
9. HI-POT = 1500V
10. OPERATING TEMPERATURE RANGE : -40°C~+85°C
11. PEAK REFLOW TEMPERATURE RATING 250°C ±3°C



								TITLE 10/100 BASE-TX TRANSFORMER	
								DWG. NO. ATPL-120TR	
RELEASE		06/06/2016	SHIRLEY	BETTY	BETTY	UNITS: M/M	SAFETY		SHEET 1 of 1
NO:	DESCRIPTION	DATE	BY	CHK	APPD	DATE	P/N:	DRAW SHIRLEY	
REVISIONS						06/06/16			