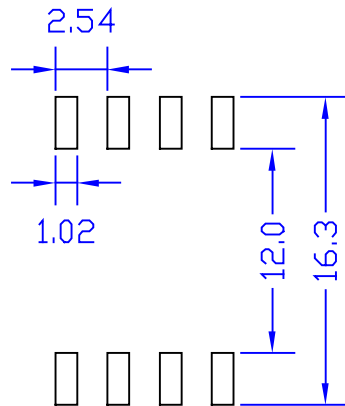


ELELCTRICAL CHARACTERISTICS:

1. D.C.R. PIN 1-2 = PIN 3-4 = 1 OHM TYP.
PIN 5-6 = PIN 7-8 = 1 OHM TYP.
2. OCL : (@10KHZ, 0.1Vrms, 6-7 SHORT)
PIN 5-8 = 30mH MIN.
3. TURNS RATIO : 1 : 1 : 1 : 1 +/-5%
4. CW(@10KHZ, 0.1Vrms) PIN 1-3 = 100pF MAX.
5. ISOLATION VOLTAGE : 1500Vrms, 2SEC (PRI-SEC)
500Vrms, 2SEC (1-3, 5-7)



SUGGESTED FOOTPRINT

					 Atech [®] Atech Technology Co., Ltd. TEL:(02)2794-8867 FAX:(02)2794-8004		TITLE ISDN-SI TRANSFORMER	
							DWG. NO. ATPL-095	
RELEASE	05/31/00	PAIR		SUEDY	UNITS: M/M	SAFETY		SHEET 1 of 1
NO. DESCRIPTION	DATE	BY	CHK	APPD	DATE			DRAW
REVISIONS					05/31/00			Pair