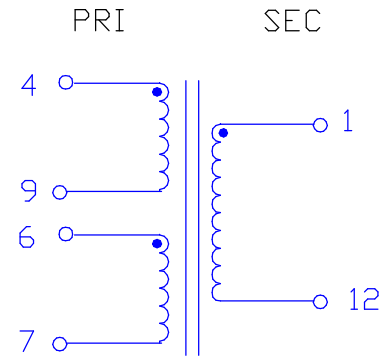
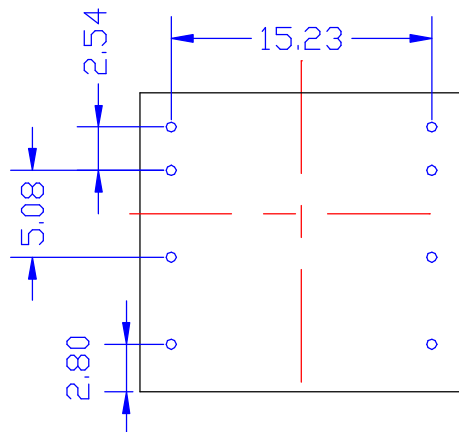
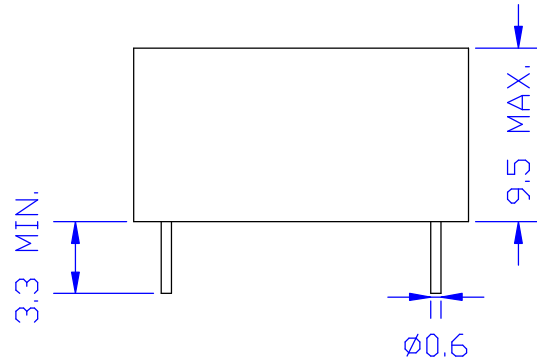
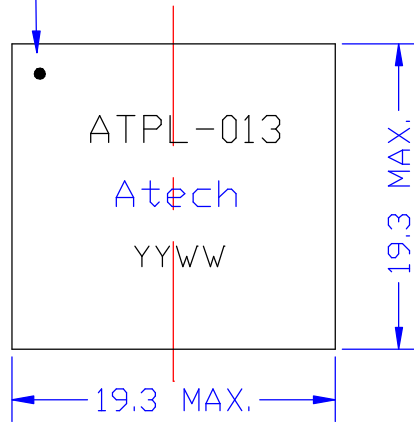


DOT PIN#1



ELELCTRICAL CHARACTERISTICS:

1. PRI. D.C.R. : 2.5 +/-25% Ω M
2. SEC. D.C.R. : 4.0 +/-25% Ω M
3. PRI. \square .C.L. : 22mH MIN. @10KHZ 100mV
4. SEC. LL : 15 μ H MAX. @100KHZ 100mV SHORT PRI.
5. Cw/w : 100pF MAX. @100KHZ 100mV
6. Cd : 80pF MAX.
7. TURNS RATIO : 1CS : 2 +/-2% (PRI. : SEC.)
8. IDC : 5mA MAX.
9. HYPOT : 3000 VRMS (PRI./SEC)

NOTE : SHORT PIN 9-6 BEFORE TESTING

					 Atech [®] Atech Technology Co., Ltd. TEL:(02)2794-6667 FAX:(02)2794-8004		TITLE ISDN S-INTERFACE TRANSFORMER	
							DWG. NO. ATPL-013	
RELEASE	06/19/98	PAIR		SUEDY	UNITS: M/M	SAFETY	SHEET 1 OF 1	
NO. DESCRIPTION	DATE	BY	CHK	APPD			DATE	DRAW
REVISIONS					06/19/98		Pair	